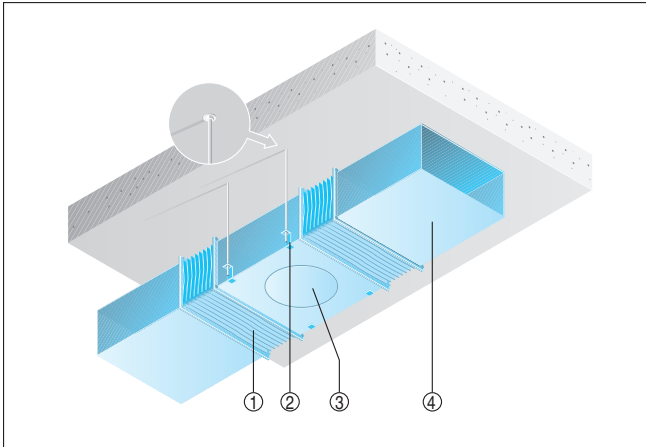


# INSTALLATION INSTRUCTIONS

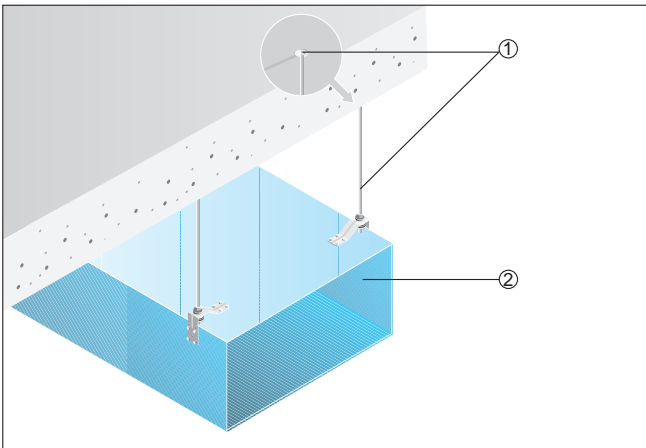
## DPK 25/4 Ex

### Installation in ventilation ducts

DPK-Ex within a channel system.



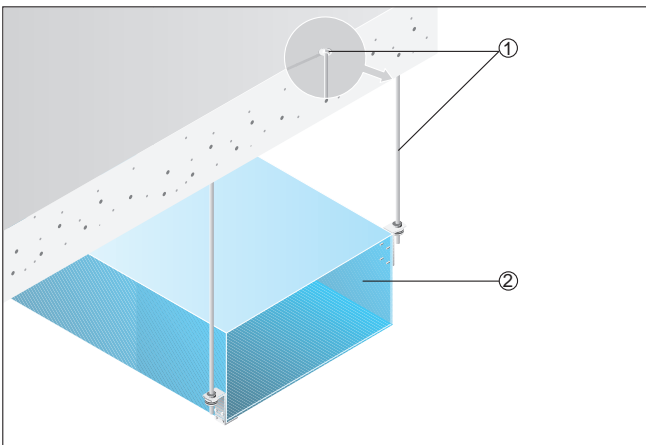
- ① ELP-Ex flexible coupling
- ② Mounting component, to be supplied by the customer
- ③ DPK-Ex fan
- ④ Ventilation channel, to be supplied by the customer



- ① Mounting components and material, to be supplied by the customer
- ② Ventilation channel, to be supplied by the customer

### Installation example

Rectangular ventilation channel with mounting components for ceiling assembly. Mounting components and material must be provided by the customer.



# INSTALLATION INSTRUCTIONS



## DPK 25/4 Ex

- ① Mounting components and material, to be supplied by the customer
- ② Ventilation channel, to be supplied by the customer