

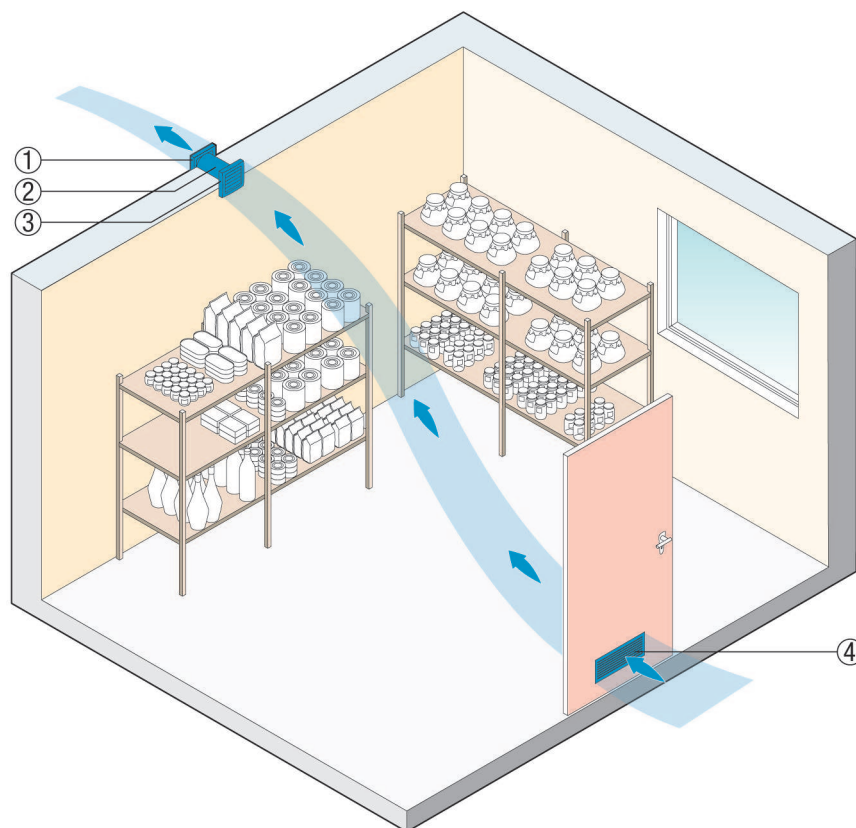
INSTALLATION INSTRUCTIONS

ECA 100 KI

Ventilation of pantries and cellars

For regular ventilation of rarely used rooms, we would recommend the ECA ... I or ECA ... KI with interval control.

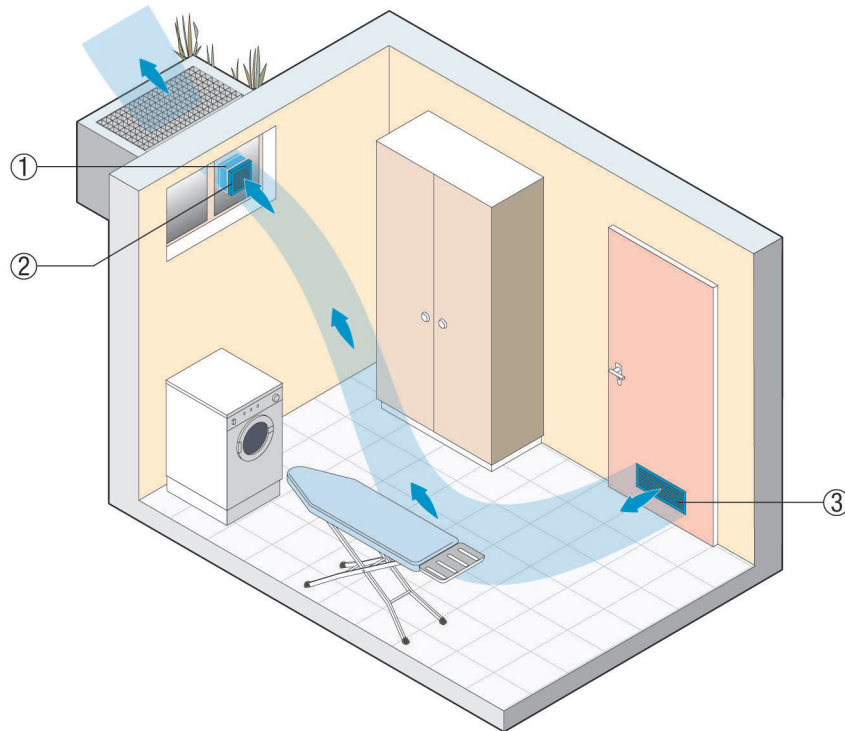
The time interval can be set individually, the operating period is 10 minutes.



- ① AP 100 shutter
- ② WH 100 wall sleeve
- ③ ECA 100 I small room fan
- ④ MLK door ventilation grille

Ventilation using FE 100 window installation kit

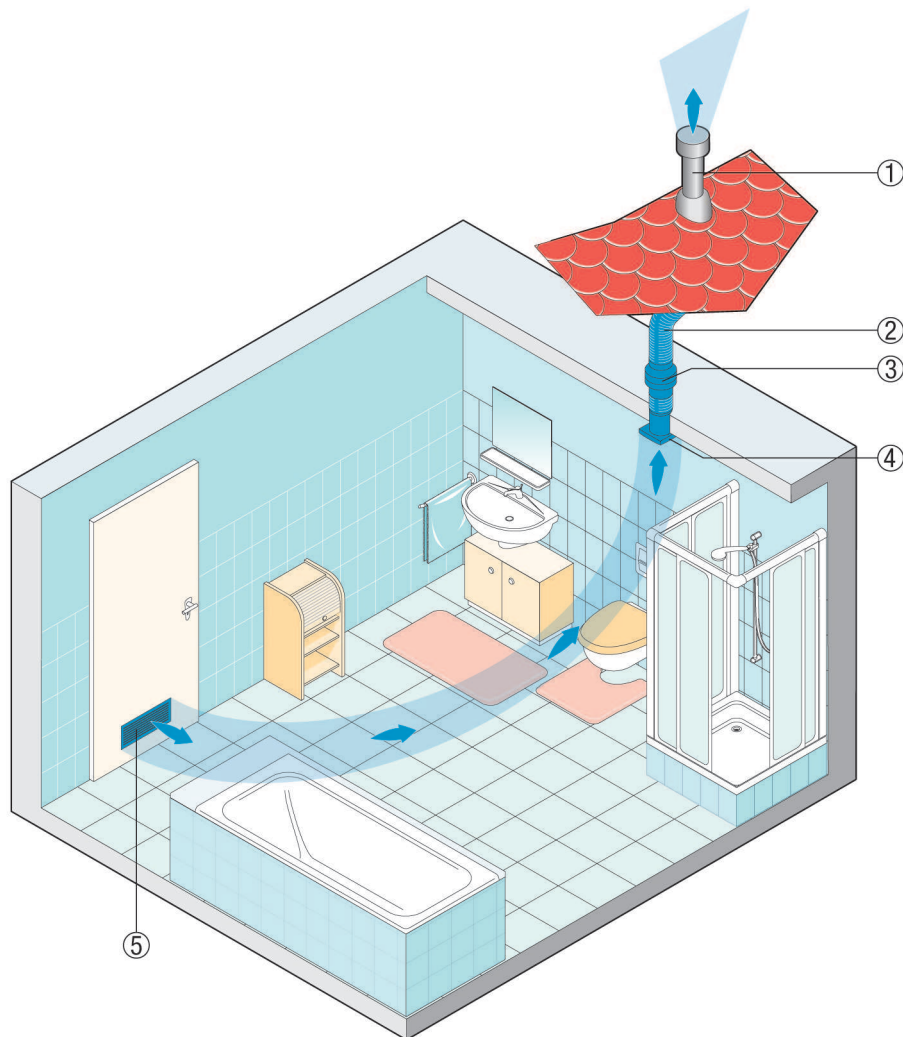
Air extraction from cloakrooms and cellars can also be easily ensured by combining small room fan ECA 100 ... with window installation kit FE 100 Supply air flows in through MLK door ventilation grille.



- ① FE 100 AP window installation kit
- ② ECA 100 KI small room fan
- ③ MLK Door ventilation grille

Barrier-free ventilation of bathrooms

The small room fans ECA piano H, ECA ... F and ECA ... KF switch on and off automatically depending on air humidity and/or brightness levels. Switches do not have to be operated.

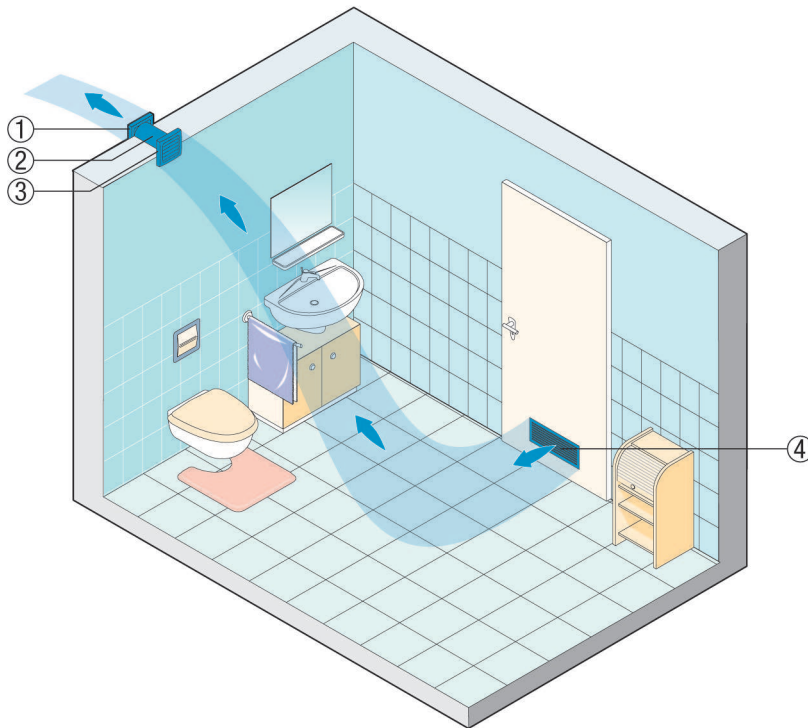


- ① Roof cowl
- ② AFR 100 flexible aluminium duct
- ③ Condensate collector
- ④ ECA ... small room fan
- ⑤ MLK 45 door ventilation grille

Ventilation of toilets

The diagram shows a typical installation situation for ECA small room fans for wall and ceiling installation. They remove odours where the odours are produced. Supply air flows in through MLK door ventilation grille. This greatly reduces the risk of excess moisture and the formation of mould.

Numerous different models, e.g. for light or humidity control, provide the right unit for every application.



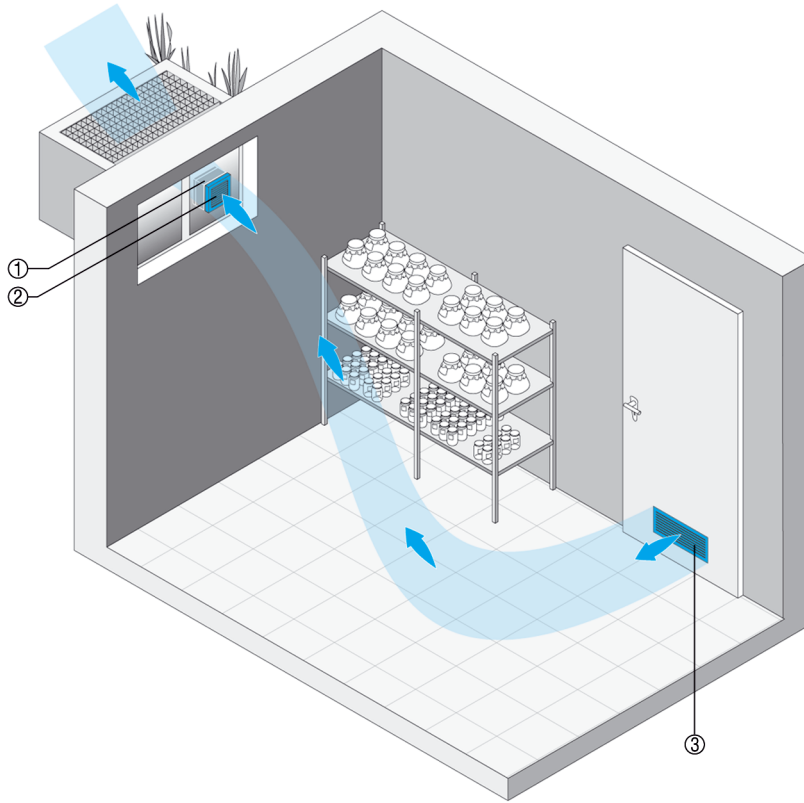
- ① AP shutter for air extraction.
- ② WH wall sleeve
- ③ ECA small room fan
- ④ MLK 45 door ventilation grille

Ventilation of cellars

ECA small room fans for wall and ceiling installation, together with their accessories, ensure air exchanging in rooms that are not often used..

INSTALLATION INSTRUCTIONS

ECA 100 KI



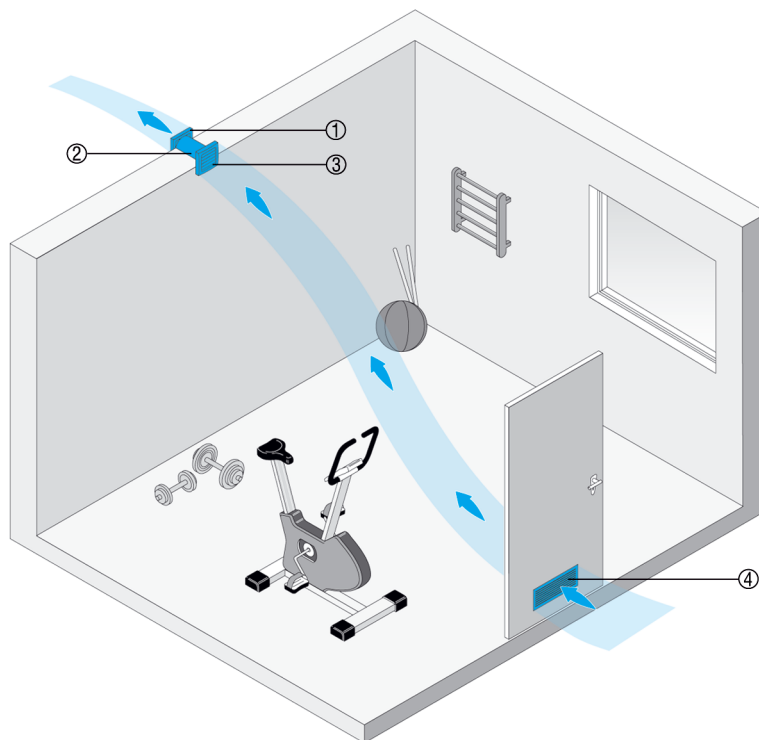
- ① FE 100 AP window installation kit
- ② ECA 100 ... small room fan
- ③ MLK 45 door ventilation grille

Fitness / Wellness rooms

ECA small room fans for wall and ceiling installation, together with their accessories, ensure a supply of fresh air and promote a sense of well-being.

INSTALLATION INSTRUCTIONS

ECA 100 KI



- ① Shutter for air extraction, AP 100
- ② WH wall sleeve
- ③ ECA small room fan
- ④ MLK 45 door ventilation grille

Wall mounting of ECA small room fans

Please note the following points when fitting ECA 100 ipro, ECA piano, ECA 100, ECA 120 and ECA 150 series model fans in a wall:

- A minimum distance between the wall and the ceiling must be observed when preparing the wall breakthrough, see diagram.
- Fit a wall sleeve.
- Feed in the connecting cable for surface or recessed mounting.
- ECA 100 ipro and ECA piano only available as recessed-mounted fans.
- Secure the fan using screws during installation.
- The AP shutter prevents cold air from entering when the fan is switched off. Not required with ECA piano and all versions with electrically-operated internal shutter.

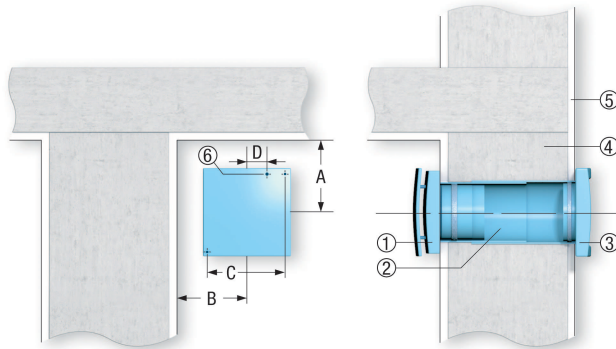
Article	A	B	C	D
ECA 100 ipro	105	85	129	22
ECA piano	90	80	129	24
ECA 100	105	80	129	24

INSTALLATION INSTRUCTIONS



ECA 100 KI

Article	A	B	C	D
ECA 120	115	95	152	24
ECA 150	140	140	178	22.5



- ① ECA fan
- ② WH wall sleeve
- ③ AP outside shutter
- ④ Masonry
- ⑤ Plaster
- ⑥ Cable entry

Ceiling installation with roof cowl

Please note the following points when fitting ECA 100 ipro, ECA piano, ECA 100, ECA 120 and ECA 150 series model fans in a ceiling in ventilation systems with a roof cowl:

The minimum distance from the wall must be observed (see wall mounting as well).

Install the wall sleeve or duct.

Surface- or recessed-mounted connecting cable guide.

ECA 100 ipro and ECA piano only available as recessed-mounted fans.

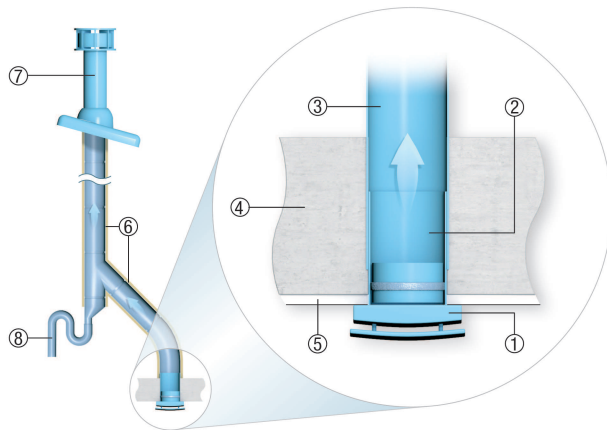
Drain off any condensation present in the duct using a siphon. Fit a T-piece with siphon in the duct (odour seal) for this purpose.

Proper duct insulation reduces the build-up of condensation considerably.

Use a roof cowl with the condensation drain pointing outwards (see recommended accessories).

INSTALLATION INSTRUCTIONS

ECA 100 KI



- ① ECA fan
- ② Sleeve
- ③ Duct DN 100, DN 125 or DN 150
- ④ Masonry
- ⑤ Plaster
- ⑥ Insulation
- ⑦ DF/DP roof cowl
- ⑧ Condensation drainage (siphon)