

ECA 100 ipro VZC

ECA 100 ipro operating programs

Depending on model, the ECA 100 ipro small room fan has 4 operating programs.

Model	Operating programs
Standard	without operating program: can be operated at two levels with standard double switch
VZC - Model with adjustable start delay and overrun time	All 4 operating programs available
F - Model with light control	All 4 operating programs available
H - Model with two-step humidity control	All 4 operating programs available, when using an optional switch, e.g. light switch
B - Model with motion detector	All 4 operating programs available

ECA 100 ipro - comfort program

- In its comfort program, the ECA 100 ipro initially starts up in the low level after an individually adjustable start delay. Only when the room has been left does the fan switch to the high level to remove all dampness and odours from the bathroom. This overrun time can also be set individually.

Benefits of the comfort program:

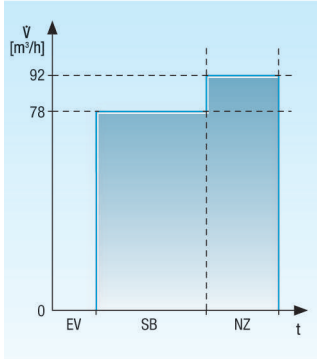
- When there is someone in the bathroom, there is virtually no operating noise as during this time the ECA 100 ipro is not yet running or is only running in the low level.
- The ECA 100 ipro is supplied in the comfort program ex factory.



- ① DN 125 roof cowl, reducer to DN 100 provided by the customer
- ② AFR 100 flexible aluminium duct

ECA 100 ipro VZC

- ③ Condensate collector, provided by the customer
- ④ ECA 100 ipro small room fan
- ⑤ MLK 45 door ventilation grille



EV - Start delay

SB - Switch operation

NZ - Overrun time

ECA 100 ipro - night program

- In its night program, the ECA 100 ipro starts up in the high level after an individually adjustable start delay. This is maintained until the person leaves the room. Then the fan switches back to the low level. The overrun time in the low level can also be set individually.

Advantages of the night program:

- This programme is suited to night-time quiet or for people with problems sleeping. After the bathroom has been used, virtually no operating noise can be heard outside the room.

- ① Protective grille for air extraction, SG 100
- ② WH 100 wall sleeve
- ③ ECA 100 ipro K small room fan
- ④ MLK 45 door ventilation grille

EV – start delay

SB – switching operation

NZ – overrun time

ECA 100 ipro – economy program

- In its economy programme, the ECA 100 ipro starts up in the low level after an individually adjustable start delay. This ventilation level is maintained both while the person is present and after leaving the room. The fan only switches off again automatically after an individually adjustable overrun time.

Advantages of the economy programme:

- This programme offers permanent comfort with high economy at the same time.
- The pleasant continuous ventilation ensures continuous air exchange with barely audible operating noise.
- The economy programme is suited to all rooms that are only used occasionally, e.g. in a cellar or hobby rooms.

- ① ECA 100 ipro K small room fan
- ② WH 100 wall sleeve
- ③ SG 100 protective grille
- ④ MLK 45 door ventilation grille

EV – start delay

SB – switching operation

ECA 100 ipro VZC

NZ – overrun time

ECA 100 ipro - power program

- The power program is the opposite of the economy program. The ECA 100 ipro starts up in the high level after an individually adjustable start delay. This intensive ventilation is maintained until the user leaves the room. But even afterwards, the fan continues to ventilate at the high setting. As always, the overrun time can be set individually.

Advantages of the power programme:

- This programme ensures high and continuous air exchange.
- Unusually high humidity and odours are reliably removed.
- The power programme can be used wherever large amounts of air need to be quickly extracted in a private environment, e.g. in the anterooms of saunas.

- ① ECA 100 ipro K small room fan
- ② WH 100 wall sleeve
- ③ SG 100 protective grille
- ④ MLK 45 door ventilation grille

EV – start delay

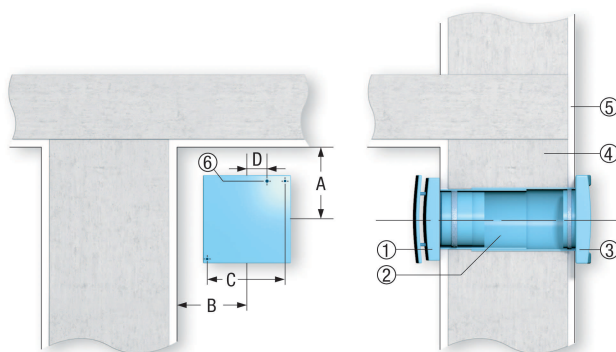
SB – switching operation

NZ – overrun time

Wall mounting of ECA small room fans

Please note the following points when fitting ECA 100 ipro, ECA 150 ipro, ECA piano and ECA 120 series model fans in a wall:

- A minimum distance between the wall and the ceiling must be observed when preparing the wall breakthrough, see diagram.
- Fit a wall sleeve.
- Feed in the connecting cable for surface or recessed mounting.
- ECA 100 ipro and ECA piano only available as recessed-mounted fans.
- Secure the fan using screws during installation.
- The AP shutter prevents cold air from entering when the fan is switched off. Not required with ECA piano and all versions with electrically-operated internal shutter.



- ① ECA fan
- ② WH wall sleeve
- ③ AP outside shutter

INSTALLATION INSTRUCTIONS

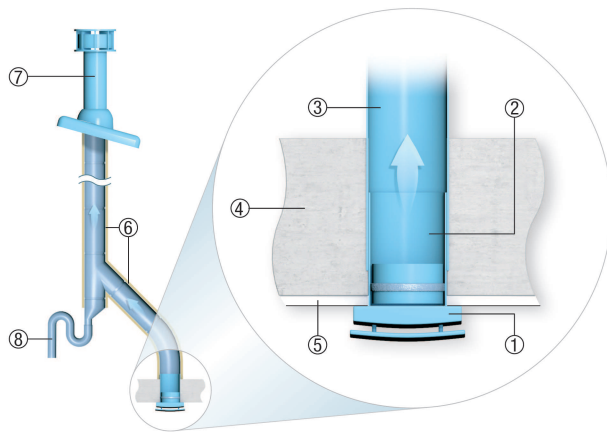
ECA 100 ipro VZC

- ④ Masonry
- ⑤ Plaster
- ⑥ Cable entry

Ceiling installation with roof cowl

Please note the following points when fitting ECA 100 ipro, ECA 150 ipro, ECA piano and ECA 120 series model fans in a ceiling in ventilation systems with a roof cowl:

- The minimum distance from the wall must be observed (see wall mounting as well).
- Install the wall sleeve or duct.
- Surface- or recessed-mounted connecting cable guide.
- ECA 100 ipro and ECA piano only available as recessed-mounted fans.
- Drain off any condensation present in the duct using a siphon. Fit a T-piece with siphon in the duct (odour seal) for this purpose.
- Proper duct insulation reduces the build-up of condensation considerably.
- Use a roof cowl with the condensation drain pointing outwards, see recommended accessories.



- ① ECA fan
- ② Sleeve WH ...
- ③ Duct, DN 100, DN 125 or DN 150
- ④ Masonry
- ⑤ Plaster
- ⑥ Insulation
- ⑦ DF/DP roof cowl (DN 125/160, possibly adapted by customer)
- ⑧ Condensation drain (siphon), provided by customer