

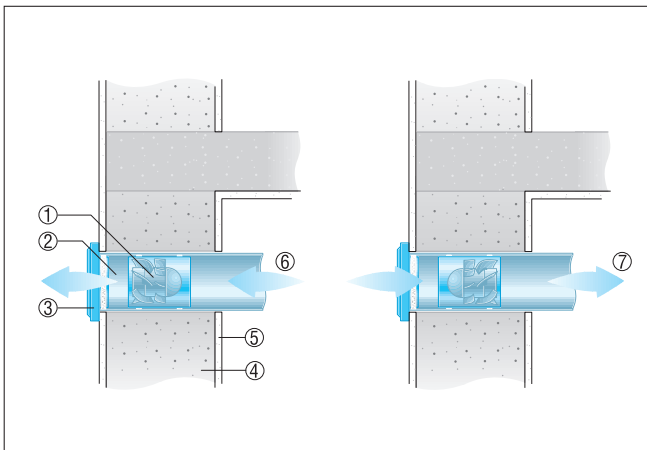
ECA 11 E

Duct installation

Please note the following points when mounting ECA 11 E, ECA 15/4 E und ECA 15/2 E series model duct-mounted fans:

- First prepare the duct breakthrough hole and lay the connecting cable.
- Connect the fan outside the duct. Take into account the length of the power cable.
- Mount the fan. For air extraction or ventilation, depending on the installation position in the duct.
- Several duct-mounted fans can be switched in line in order to increase the static pressure.
- The AP shutter prevents cold air from entering when the fan is switched off.

Duct with ECA duct-mounted fan



- ① ECA duct-mounted fan
- ② Duct, DN 100 / DN 150
- ③ AP shutter, SG external grille
- ④ Masonry
- ⑤ Plaster
- ⑥ Fan mounting position for air extraction
- ⑦ Fan installation position for ventilation