

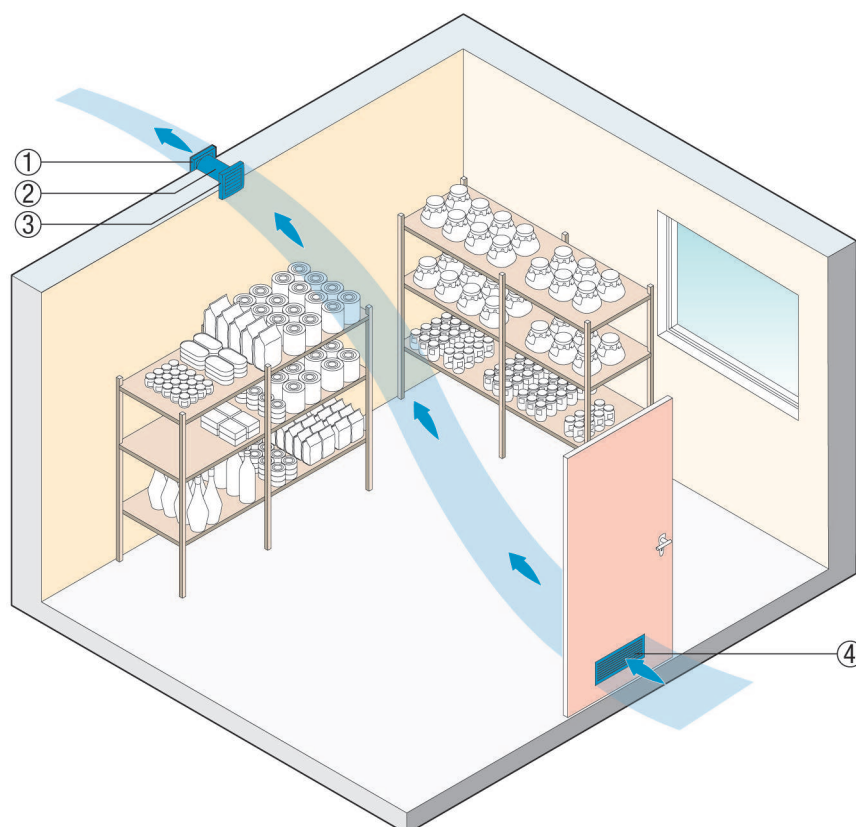
INSTALLATION INSTRUCTIONS

ECA 120 KF

Ventilation of pantries and cellars

For regular ventilation of rarely used rooms, we would recommend the ECA ... I or ECA ... KI with interval control.

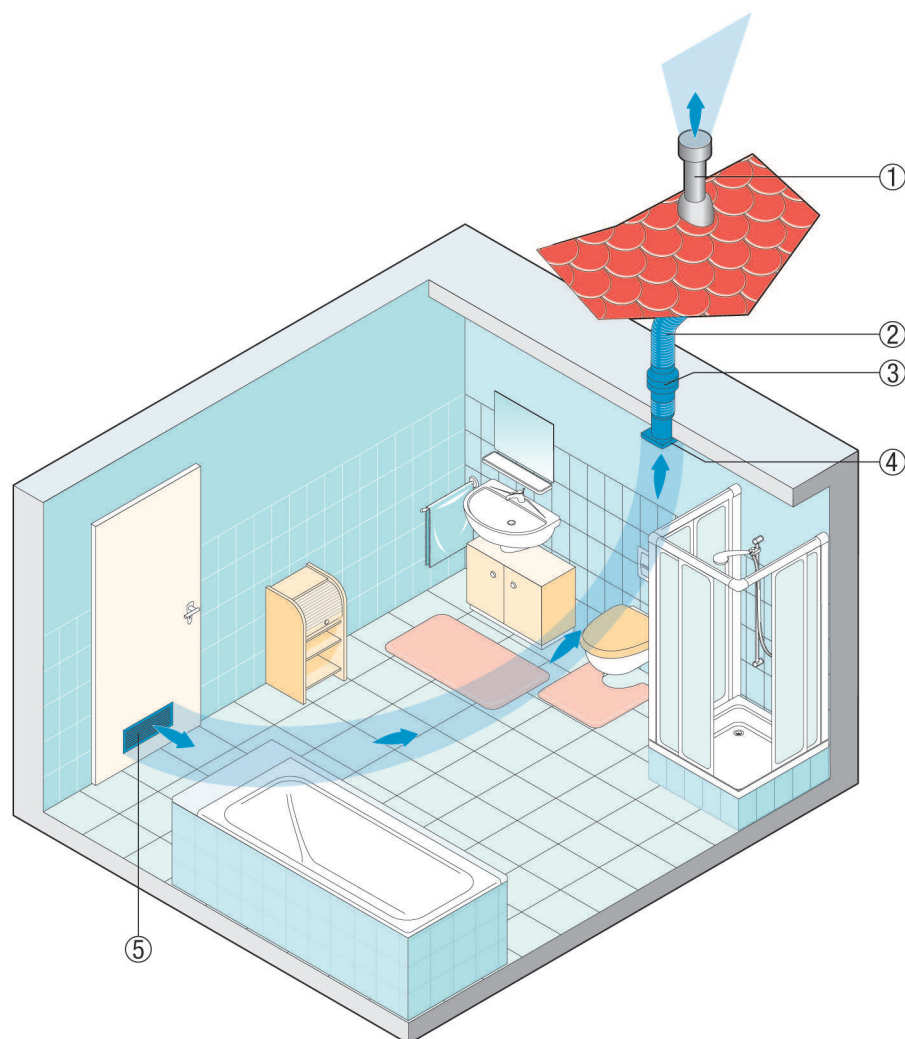
The time interval can be set individually, the operating period is 10 minutes.



- ① AP shutter
- ② WH wall sleeve
- ③ ECA ... I small room fan
- ④ MLK Door ventilation grille

Barrier-free ventilation of bathrooms

The small room fans ECA piano H, ECA ... F and ECA ... KF switch on and off automatically depending on air humidity and/or brightness levels. Switches do not have to be operated.



- ① Roof cowl
- ② AFR 199 flexible aluminium duct
- ③ Condensate collector
- ④ ECA ... small room fan
- ⑤ MLK 45 door ventilation grille

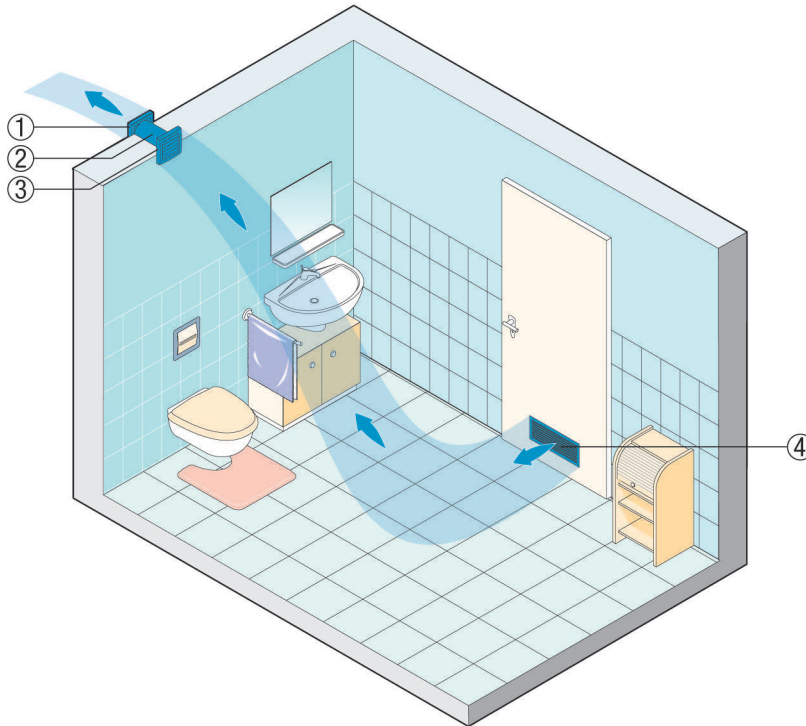
Ventilation of toilets

The diagram shows a typical installation situation for ECA small room fans for wall and ceiling installation. They remove odours where the odours are produced. Supply air flows in through MLK door ventilation grille. This greatly reduces the risk of excess moisture and the formation of mould.

Numerous different models, e.g. for light or humidity control, provide the right unit for every application.

INSTALLATION INSTRUCTIONS

ECA 120 KF

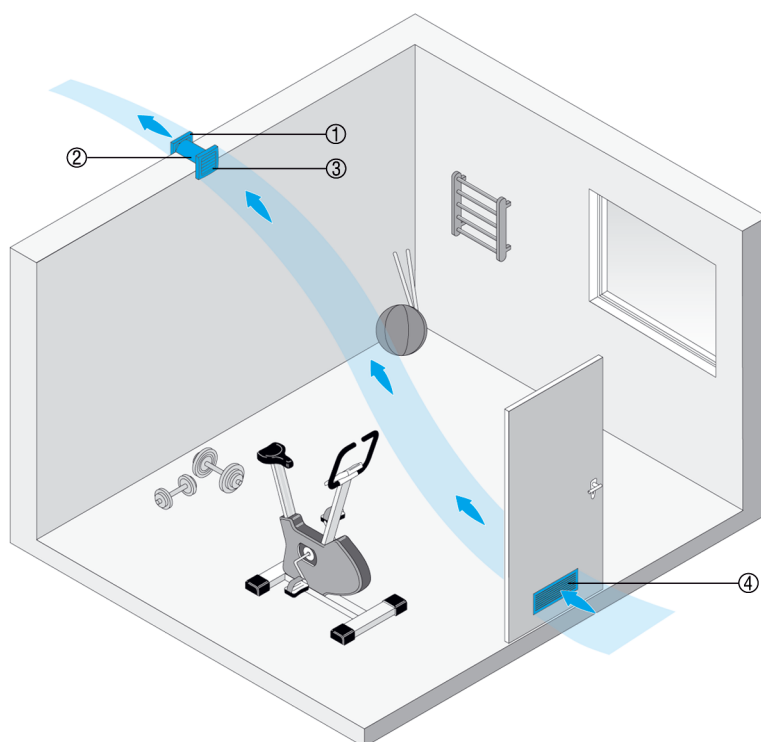


- ① AP Shutter for air extraction.
- ② WH wall sleeve
- ③ ECA ... small room fan
- ④ MLK 45 door ventilation grille

Fitness / Wellness rooms

ECA small room fans for wall and ceiling installation with the accessories ensure a supply of fresh air and promote a sense of well-being.

ECA 120 KF



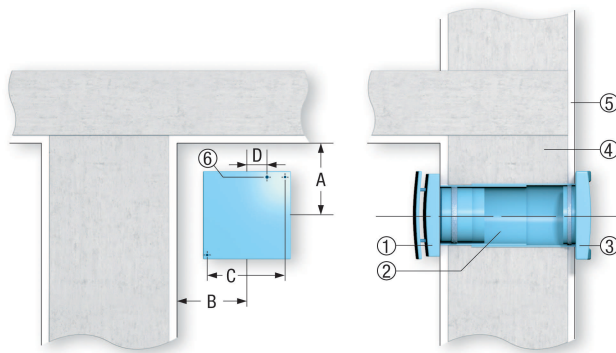
- ① AP Shutter for air extraction.
- ② WH wall sleeve
- ③ ECA small room fan
- ④ MLK 45 door ventilation grille

Wall mounting of ECA small room fans

Please note the following points when fitting ECA 100 ipro, ECA 150 ipro, ECA piano and ECA 120 series model fans in a wall:

- A minimum distance between the wall and the ceiling must be observed when preparing the wall breakthrough, see diagram.
- Fit a wall sleeve.
- Feed in the connecting cable for surface or recessed mounting.
- ECA 100 ipro and ECA piano only available as recessed-mounted fans.
- Secure the fan using screws during installation.
- The AP shutter prevents cold air from entering when the fan is switched off. Not required with ECA piano and all versions with electrically-operated internal shutter.

ECA 120 KF



- ① ECA fan
- ② WH wall sleeve
- ③ AP outside shutter
- ④ Masonry
- ⑤ Plaster
- ⑥ Cable entry

Ceiling installation with roof cowl

When installing fans in ceilings, of the type series ECA 100 ipro, ECA 150 ipro, ECA piano and ECA 120 with a roof cowl, please observe the following points:

- It is essential to observe the minimum distances to the wall, see also Wall installation.
- Install the wall sleeve or duct.
- Connection cable feed, surface-mounted or flush-mounted.
- ECA 100 ipro and ECA piano, flush-mounted only.
- Drain any condensation in the duct via a siphon. To do this, install a T-piece with siphon (odour trap) in the duct.
- Professional insulation of the duct significantly reduces the build-up of condensation.
- Use a roof cowl with condensation drainage to the outside, see recommended accessories.

- ① ECA 100 ipro K... small room fan
- ② WH ... sleeve
- ③ DN 100, DN 125 or DN 150 duct
- ④ Masonry
- ⑤ Plaster
- ⑥ Insulation
- ⑦ DF/DP roof cowl (DN 125/160, possibly customised on site)
- ⑧ Condensation drainage (siphon), procurement on site

Wall installation of ECA small room fans

When installing fans in walls, of the type series ECA 100 ipro, ECA piano, ECA 100, ECA 120 and ECA 150, please observe the following points:

- When preparing the wall breakthrough, it is essential to observe the minimum distances to the wall and ceiling, see figure.
- Install the wall sleeve.
- Supply of the connection cable, surface-mounted or flush-mounted.
- ECA 100 ipro and ECA piano, flush-mounted only.
- Secure the fan with screws during installation.

- ① ECA 100 ipro K... small room fan
- ② WH wall sleeve
- ③ SG 100 external grille

ECA 120 KF

- ④ Masonry
- ⑤ Plaster
- ⑥ Cable entry

	A	B	C	D
ECA 100 ipro	105	85	129	22
ECA piano	90	80	129	24
ECA 120	115	95	152	24
ECA 150 ipro	130	130	178	22.5

Ceiling installation with roof cowl

Please note the following points when fitting ECA 100 ipro, ECA piano, ECA 100, ECA 120 and ECA 150 series model fans in a ceiling in ventilation systems with a roof cowl:

The minimum distance from the wall must be observed (see wall mounting as well).

Install the wall sleeve or duct.

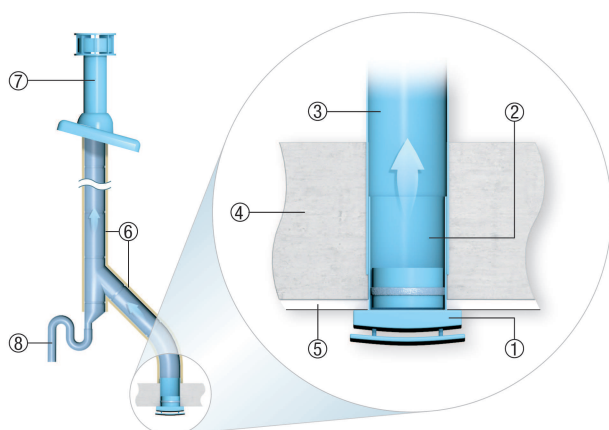
Surface- or recessed-mounted connecting cable guide.

ECA 100 ipro and ECA piano only available as recessed-mounted fans.

Drain off any condensation present in the duct using a siphon. Fit a T-piece with siphon in the duct (odour seal) for this purpose.

Proper duct insulation reduces the build-up of condensation considerably.

Use a roof cowl with the condensation drain pointing outwards (see recommended accessories).



- ① ECA fan
- ② Sleeve
- ③ Duct DN 100, DN 125 or DN 150
- ④ Masonry
- ⑤ Plaster
- ⑥ Insulation
- ⑦ DF/DP roof cowl
- ⑧ Condensation drainage (siphon)