

ECA 150 ipro K

ECA 150 ipro - comfort program

In its comfort program, the ECA 150 ipro initially starts up in the low level after an individually adjustable start delay. Only when the room has been left does the fan switch to the high level to remove all dampness and odours from the room. This overrun time can also be set individually.

Benefits of the comfort program:

When there is someone in the room, there is virtually no operating noise as during this time the ECA 150 ipro is not yet running or is only running in the low level.

The ECA 150 ipro is supplied in the comfort program ex factory.

ECA 150 ipro - demand program

■ In its demand program, the ECA 150 ipro starts up in the high level after an individually adjustable start delay. This is maintained until the person leaves the room. Then the fan switches to the lower level. The overrun time in the low level can also be set individually.

Benefits of the demand program:

■ This program is selected if there is a higher demand for ventilation when persons are in the room, e.g workshops, garages, etc.

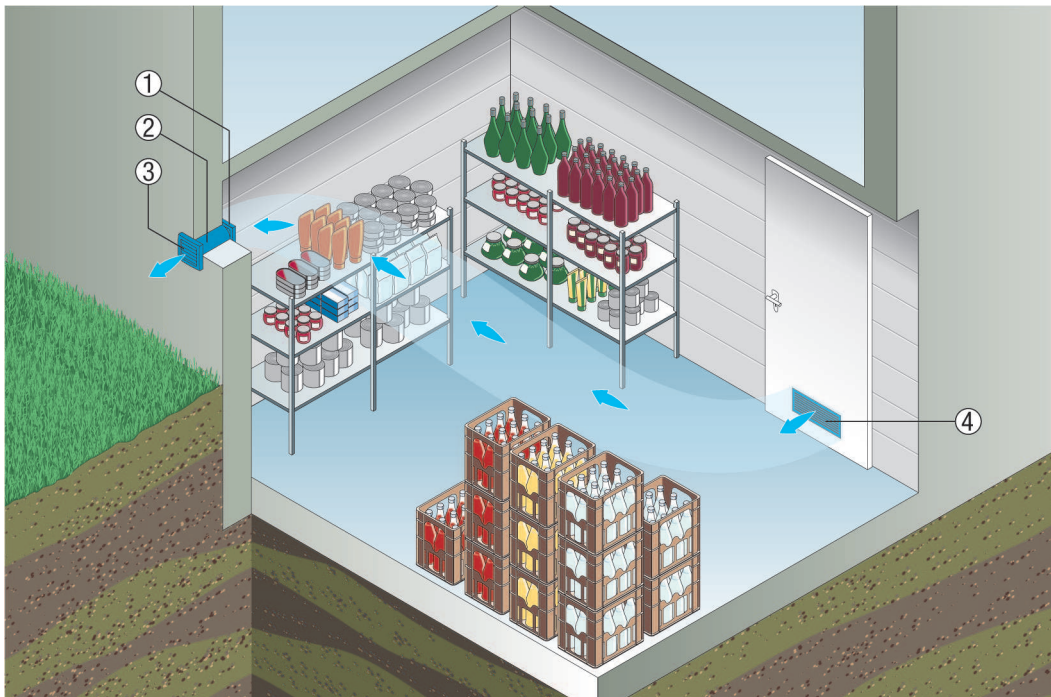
ECA 150 ipro - economy program

■ In its economy program, the ECA 150 ipro starts up in the low level after an individually adjustable start delay. This ventilation level is maintained both while the person is present and once the person has left the room. The fan switches off automatically only once the individually adjustable overrun time has passed.

Benefits of the economy program:

- This program offers permanent comfort coupled with great economy.
- The pleasant ventilation ensures a continuous exchange of air and produces virtually no operating noise.
- The economy program is suited to all rooms only used occasionally, e.g. in a cellar or hobby rooms.

ECA 150 ipro K



- ① ECA 150 ipro small room fan
- ② WH 150 wall sleeve
- ③ AP 150 shutter
- ④ MLK door ventilation grille

ECA 150 ipro - power program

- The power program is the opposite of the economy program. The ECA 150 ipro starts up in the high level after an individually adjustable start delay. This intensive ventilation is maintained until the user leaves the room. Yet the fan then continues to run in the high level. As always the overrun time can be set individually.

Benefits of the power program:

- This program ensures a continuous exchange of large volumes of air.
- Unusually high levels of dampness and odours are reliably extracted.
- The power program can be used wherever large amounts of air are to be quickly extracted, e.g. in public showers or in vestibules to saunas.

ECA 150 ipro K

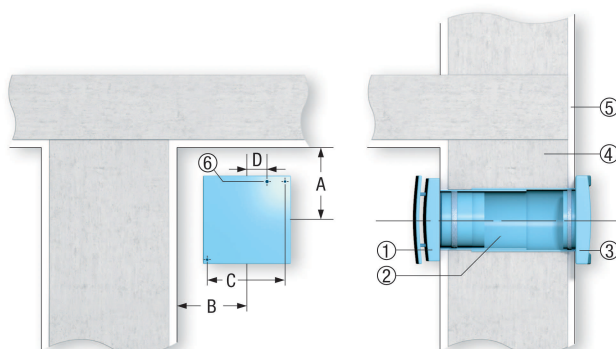


- ① ECA 150 ipro small room fan
- ② WH 150 wall sleeve
- ③ AP 150 shutter
- ④ MLK 45 door ventilation grille

Wall mounting of ECA small room fans

Please note the following points when fitting ECA 100 ipro, ECA 150 ipro, ECA piano and ECA 120 series model fans in a wall:

- A minimum distance between the wall and the ceiling must be observed when preparing the wall breakthrough, see diagram.
- Fit a wall sleeve.
- Feed in the connecting cable for surface or recessed mounting.
- ECA 100 ipro and ECA piano only available as recessed-mounted fans.
- Secure the fan using screws during installation.
- The AP shutter prevents cold air from entering when the fan is switched off. Not required with ECA piano and all versions with electrically-operated internal shutter.



ECA 150 ipro K

- ① ECA fan
- ② WH wall sleeve
- ③ AP outside shutter
- ④ Masonry
- ⑤ Plaster
- ⑥ Cable entry

Ceiling installation with roof cowl

When installing fans in ceilings, of the type series ECA 100 ipro, ECA 150 ipro, ECA piano and ECA 120 with a roof cowl, please observe the following points:

- It is essential to observe the minimum distances to the wall, see also Wall installation.
- Install the wall sleeve or duct.
- Connection cable feed, surface-mounted or flush-mounted.
- ECA 100 ipro and ECA piano, flush-mounted only.
- Drain any condensation in the duct via a siphon. To do this, install a T-piece with siphon (odour trap) in the duct.
- Professional insulation of the duct significantly reduces the build-up of condensation.
- Use a roof cowl with condensation drainage to the outside, see recommended accessories.

- ① ECA 100 ipro K... small room fan
- ② WH ... sleeve
- ③ DN 100, DN 125 or DN 150 duct
- ④ Masonry
- ⑤ Plaster
- ⑥ Insulation
- ⑦ DF/DP roof cowl (DN 125/160, possibly customised on site)
- ⑧ Condensation drainage (siphon), procurement on site

Wall installation of ECA small room fans

When installing fans in walls, of the type series ECA 100 ipro, ECA piano, ECA 100, ECA 120 and ECA 150, please observe the following points:

- When preparing the wall breakthrough, it is essential to observe the minimum distances to the wall and ceiling, see figure.
- Install the wall sleeve.
- Supply of the connection cable, surface-mounted or flush-mounted.
- ECA 100 ipro and ECA piano, flush-mounted only.
- Secure the fan with screws during installation.

- ① ECA 100 ipro K... small room fan
- ② WH wall sleeve
- ③ SG 100 external grille
- ④ Masonry
- ⑤ Plaster
- ⑥ Cable entry

	A	B	C	D
ECA 100 ipro	105	85	129	22
ECA piano	90	80	129	24
ECA 120	115	95	152	24
ECA 150 ipro	130	130	178	22.5

ECA 150 ipro K

Ceiling installation with roof cowl

Please note the following points when fitting ECA 100 ipro, ECA piano, ECA 100, ECA 120 and ECA 150 series model fans in a ceiling in ventilation systems with a roof cowl:

The minimum distance from the wall must be observed (see wall mounting as well).

Install the wall sleeve or duct.

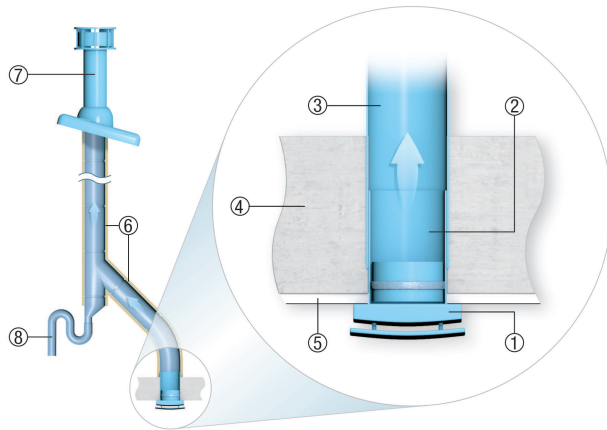
Surface- or recessed-mounted connecting cable guide.

ECA 100 ipro and ECA piano only available as recessed-mounted fans.

Drain off any condensation present in the duct using a siphon. Fit a T-piece with siphon in the duct (odour seal) for this purpose.

Proper duct insulation reduces the build-up of condensation considerably.

Use a roof cowl with the condensation drain pointing outwards (see recommended accessories).



- ① ECA fan
- ② Sleeve
- ③ Duct DN 100, DN 125 or DN 150
- ④ Masonry
- ⑤ Plaster
- ⑥ Insulation
- ⑦ DF/DP roof cowl
- ⑧ Condensation drainage (siphon)