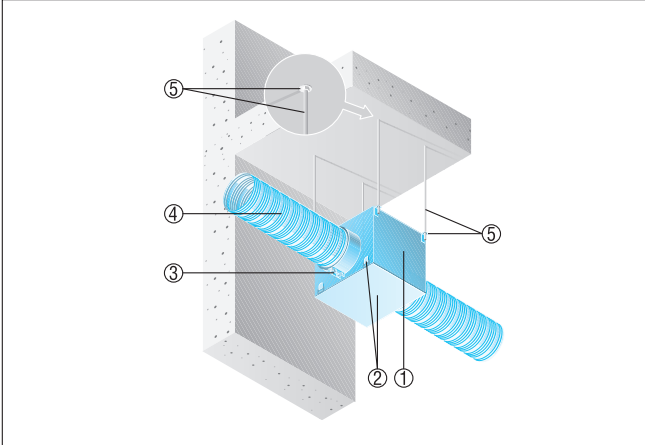


ESR 12/1

Ceiling assembly with housing opening at the bottom

■ Use 4 mounting components to mount the ventilation box. Mounting components must be supplied by the customer.

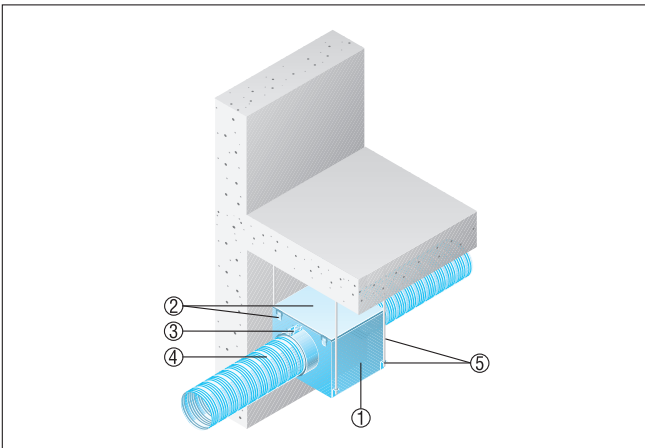


- ① ESR sound-insulated ventilation box
- ② Housing cover with clip lock
- ③ ELR fixing cuff
- ④ Ventilation duct, to be supplied by the customer
- ⑤ Mounting components, to be supplied by the customer

Ceiling assembly with housing opening on top

■ Use 4 mounting components to mount the ventilation box. Mounting components must be supplied by the customer.

■ Allow sufficient space to the ceiling for maintenance and cleaning.



- ① ESR sound-insulated ventilation box
- ② Housing cover with clip lock
- ③ ELR fixing cuff
- ④ Ventilation duct, to be supplied by the customer
- ⑤ Mounting components, to be supplied by the customer