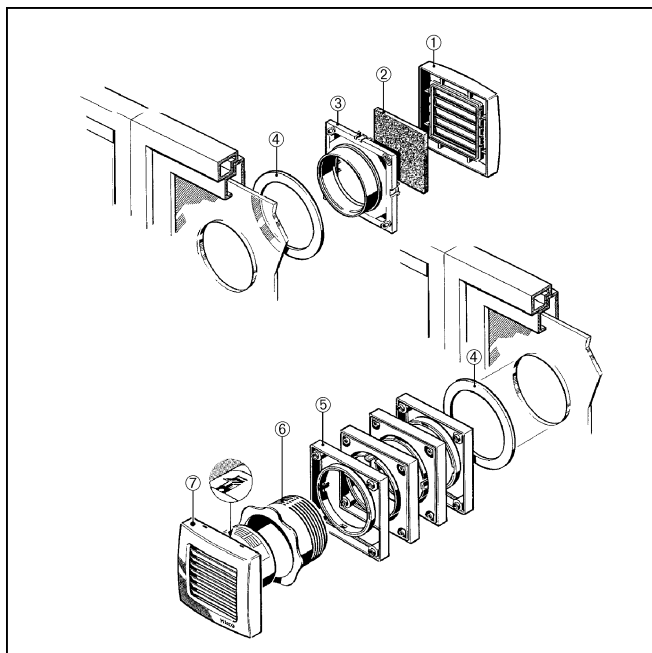


FE 100 AP

FE 100 AP window installation

- The spacing frame provides the required distance between the ECA fan and the window.
- The unit is assembled into the window cut-out by screwing the adapter into the threaded connector.
- The ECA fan is simply inserted into the threaded connector. It is fixed using the two clamping springs provided.
- You should use a type HO5VV-F (DIN VDE 0281) flexible, 3 x 0.75 mm² cable for the electrical connection of the ECA fan.
- Not suitable for installation in hinged or tilt-up double-glazed windows.



- ① External shutter cover
- ② Filter mat
- ③ Adaptor
- ④ Sealing ring
- ⑤ Spacing frame
- ⑥ Threaded connector
- ⑦ ECA fan