

## GRD 22

### Installation on flat roof

- The roof fan is fitted on a flat roof in the example shown.
- Note how it is combined with a tubular sound absorber (e.g. RSR). The combination with a tubular sound absorber is the typical installation situation.



- ① Centrifugal roof fan
- ② Roof socket
- ③ Flexible coupling
- ④ Tubular sound absorber
- ⑤ Ventilation duct, to be provided by the customer

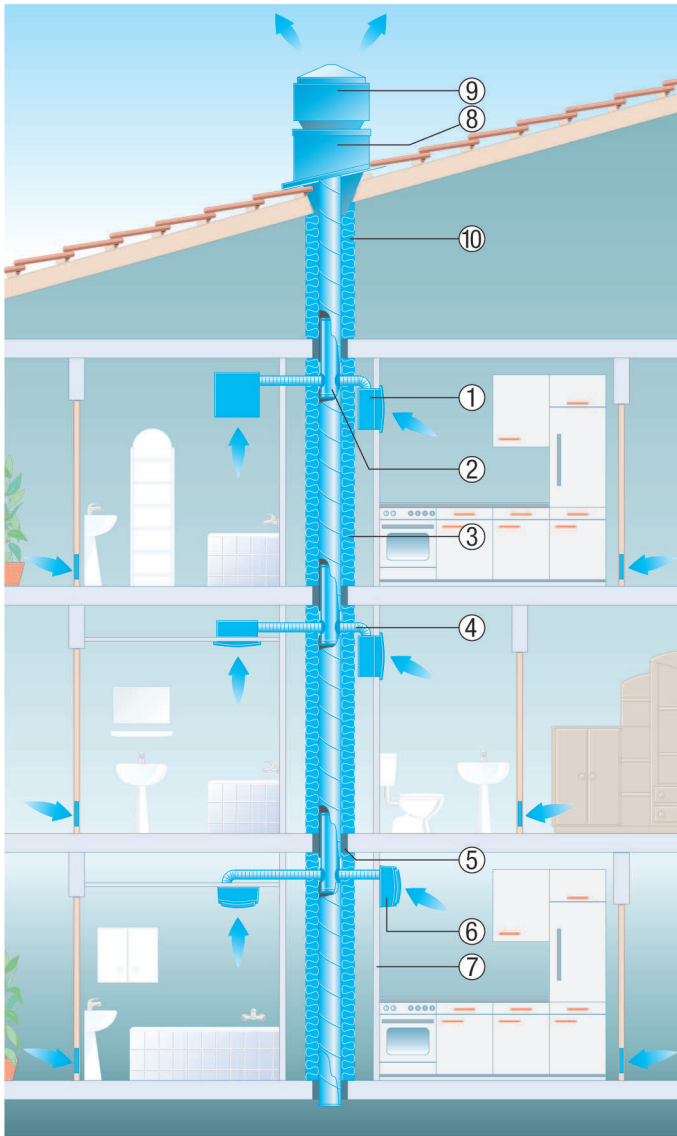
### Roof fans for centralised air extraction

- With centralised air extraction, several apartments and rooms are connected to one shared main duct.
- A central exhaust air duct runs vertically through the entire building.
- One centralised fan on the roof or in the main duct displaces the stale air outside via the exhaust air elements in the bathroom and kitchen. Outside air flows into the apartment draft-free via supply air elements.
- In addition to all the benefits of controlled domestic air ventilation, a centralised air ventilation system also has other benefits such as:
  - Health and hygiene thanks to continuous ventilation
  - Quieter than individual room fans

# INSTALLATION INSTRUCTIONS

## GRD 22

- Dehumidification and maintenance of basic structure of building
- Air is automatically extracted from empty apartments
- Automatic air extraction of all neighbouring apartments - user cannot intervene
- Systems engineering accessible at all times - no need to access neighbouring apartments.

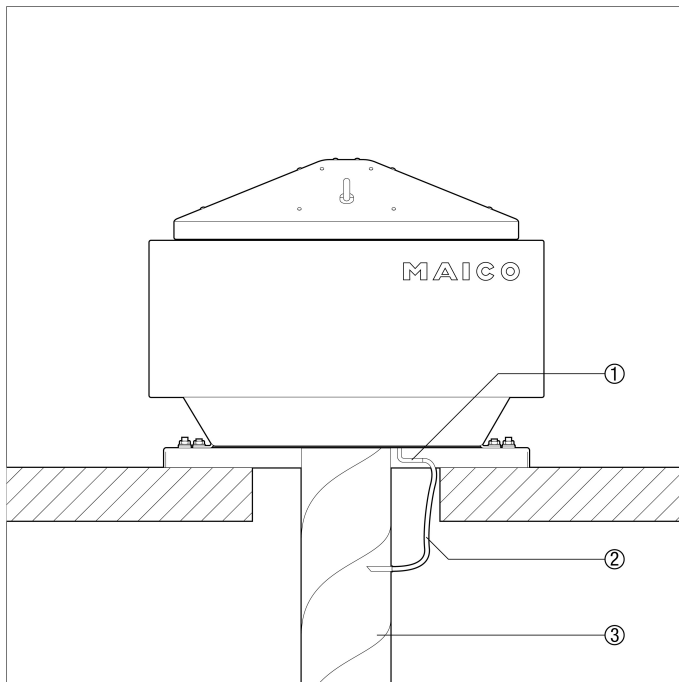


- ① Centro exhaust air element, ER-UPD recessed-mounted housing for fitting inside or outside the shaft.
- ② BA fire protection compensation element
- ③ BI fire protection insulation
- ④ SFR flexible steel duct
- ⑤ Ceiling compound, at least 100 mm thick
- ⑥ Centro APB exhaust air element for fitting on or outside the shaft.
- ⑦ Shaft wall made from plaster board (plaster board at least 12.5 mm thick in class A2 according to DIN 4102)
- ⑧ SDS roof socket
- ⑨ ERD roof fan or GRD roof fan with EC motor
- ⑩ Insulation (fire protection + preventing the formation of condensation)

### Installation without roof socket

When installing the exhaust air duct directly onto the fan, the pressure tubing and measuring rod provided must be fitted as shown in the sketch below. The differential pressure measurement is not guaranteed if this is not done.

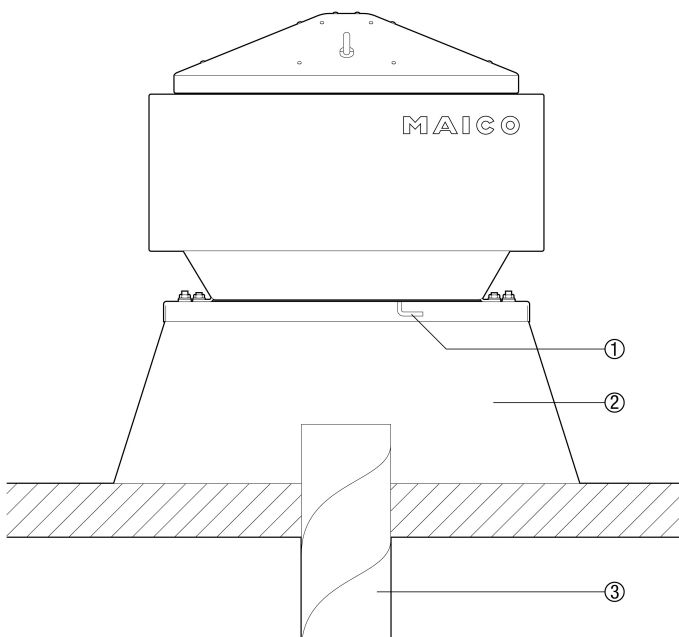
## GRD 22



- ① Pressure tap
- ② Pressure tubing with measuring rod
- ③ Exhaust air duct

### Installation with roof socket

If the fan is fitted in combination with a roof socket, the pressure tubing and measuring rod do not have to be fitted. The differential pressure is then measured inside the roof socket.



- ① Pressure tap
- ② Roof socket
- ③ Exhaust air duct