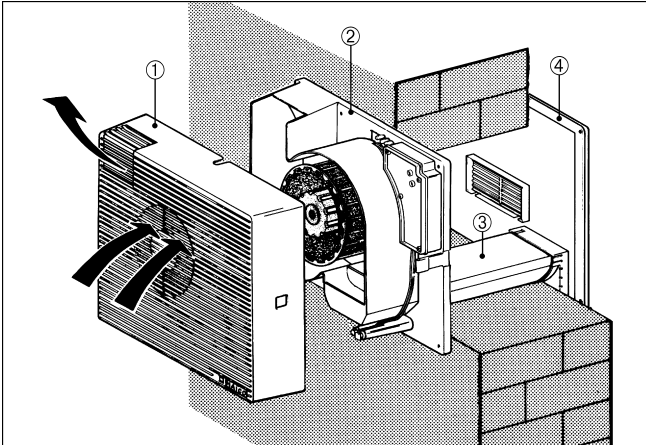


WRG 20-1

Wall installation

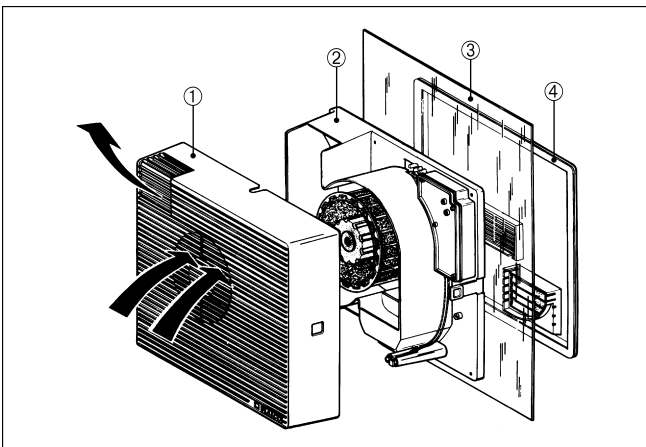
- Installation in a wall is carried out as shown in the above illustration.
- The connector (pos. 3) is adjusted to the wall thickness. For thicker walls, it can also be extended using the extension connector.



- ① Cover
- ② WRG 20 heat recovery unit
- ③ Connector
- ④ Electrical external shutter

Window installation

- Installation in windows is carried out as shown in the above illustration.
- Use extension connector for double-glazed and composite windows.



- ① Cover
- ② WRG 20 heat recovery unit
- ③ Window pane
- ④ Electrical external shutter