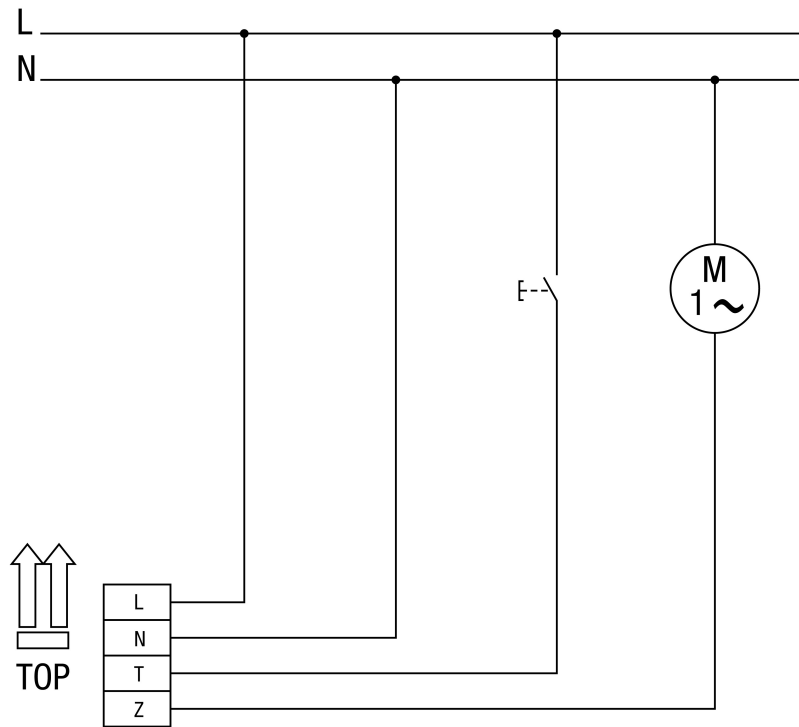


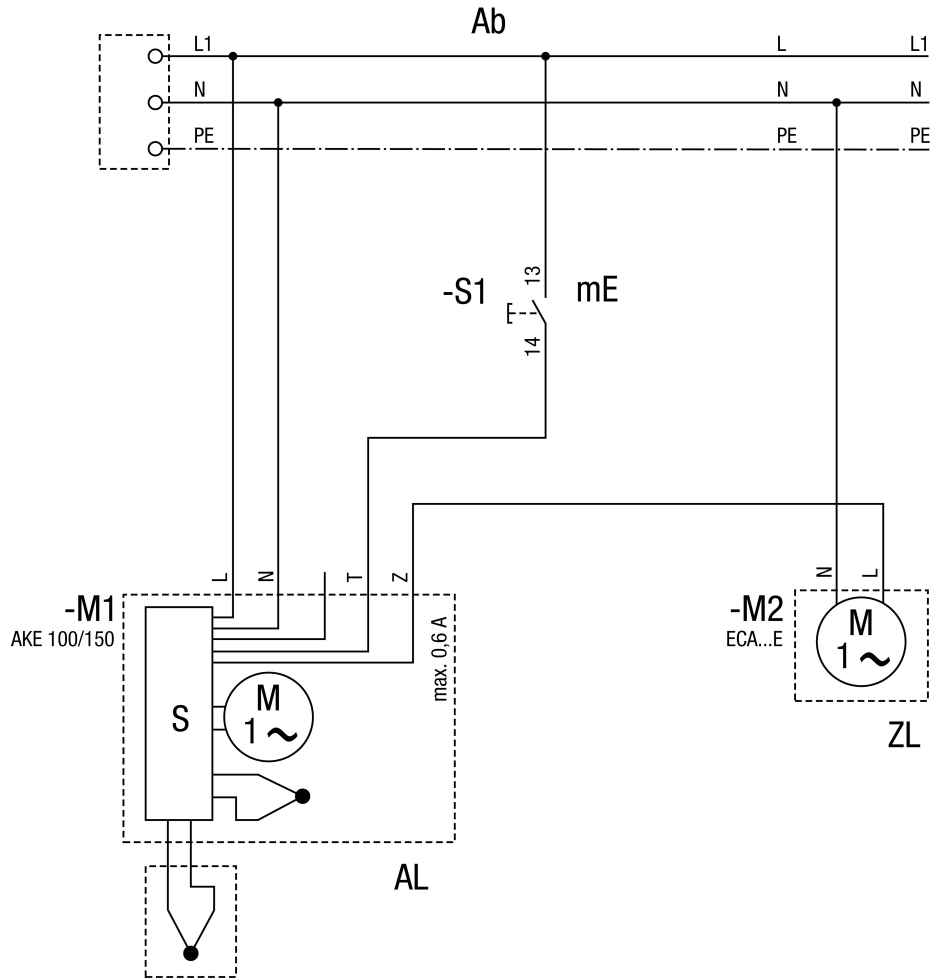
# WIRING DIAGRAM

## AKE 150



# WIRING DIAGRAM

## AKE 150



- Ab - Fuse protection provided by customer
- mE - Manual switching-on option
- S - Controller
- AL - Exhaust air
- ZL - Supply air option