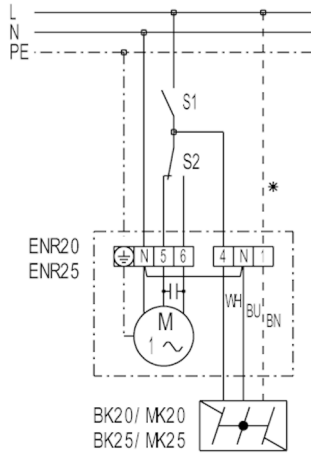


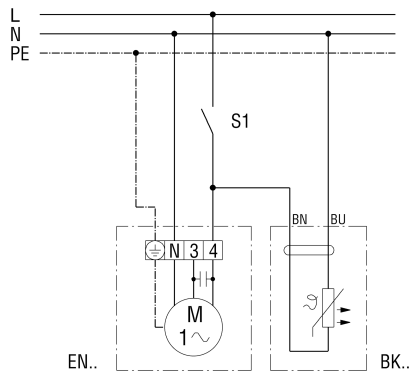
## BK 31

### ENR 20, ENR 25, ENR 31 with on/off switch and three-position switch



- S1 - On / Off
- S2 - Switching between air extraction and ventilation
- Terminal 5 - Air extraction
- Terminal 6 - Ventilation
- \* - duct only for MK... shutter

### BK with EN... wall fan, without speed control

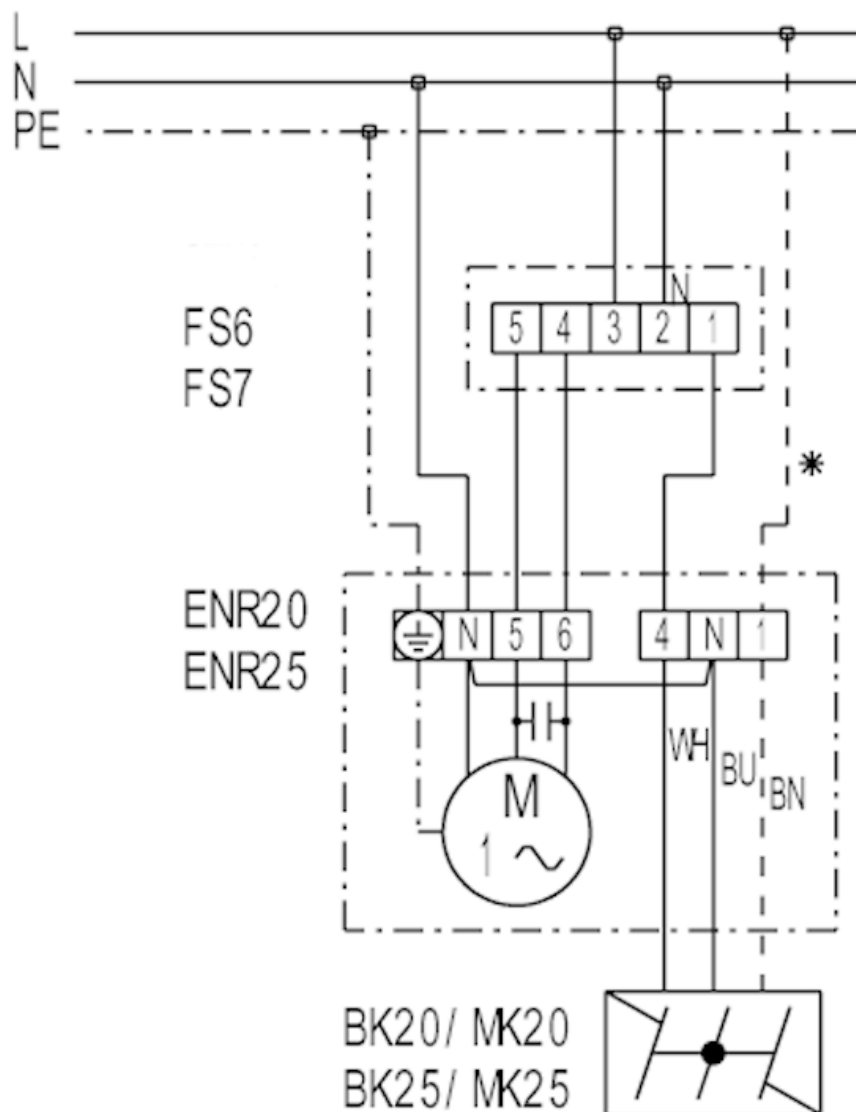


S1 fan On/Off, to be supplied by the customer

# WIRING DIAGRAM

## BK 31

### BK with EN... wall fan, without speed control

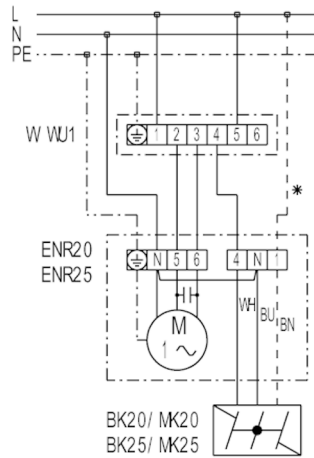


S1 fan On/Off, to be supplied by the customer

# WIRING DIAGRAM

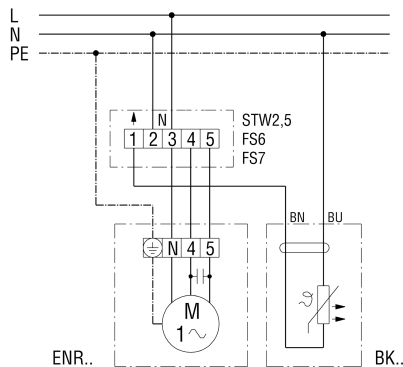
## BK 31

### ENR 20, ENR 25, ENR 31 with W 1, WU 1 reversing switch



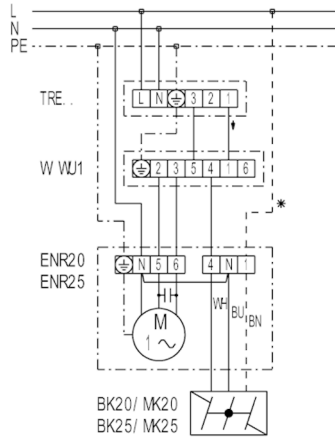
- W 1 - Reversing switch (air extraction or ventilation), surface-mounted
- WU 1 - Reversing switch (air extraction or ventilation), recessed-mounted
- \* - duct only for MK... shutter

### BK with ENR... fan and STW 2,5 speed controller for surface installation



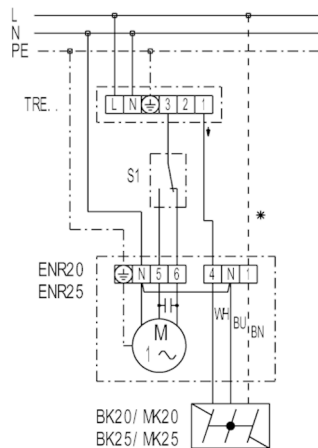
- FS 6 - Step switch: 2 speeds, ventilation / air extraction (FS 6 cannot be used for ENR 31)
- FS 7 - Step switch: Ventilation / air extraction

### BK with ENR... fan and STW 2,5 speed controller for surface installation



FS6 - Step switch: 2 speeds, ventilation / air extraction (FS 6 cannot be used for ENR 31)  
 FS7 - Step switch: Ventilation / air extraction

### ENR 20, ENR 25, ENR 31 with TRE 5-step transformer and three-position switch

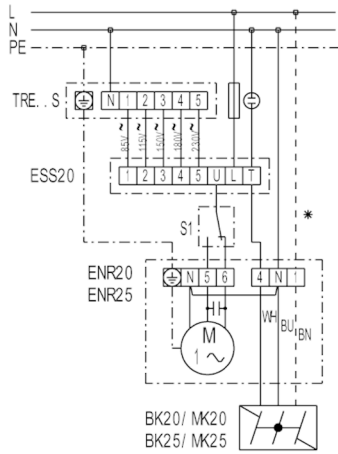


TRE - 5-step transformer (on/off, 5-speed)  
 S1 - Reversing switch (air extraction or ventilation)  
 \* - duct only for MK... shutter

# WIRING DIAGRAM

## BK 31

**ENR 20, ENR 25, ENR 31 with TRE..S 5-step transformer and ESS 20 5-step switch.**



TRE - 5-step transformer, control cabinet installation

ESS 20 - 5-step switch (on/off, 5-speed)

S1 - Reversing switch (air extraction or ventilation)

\* - duct only for MK... shutter