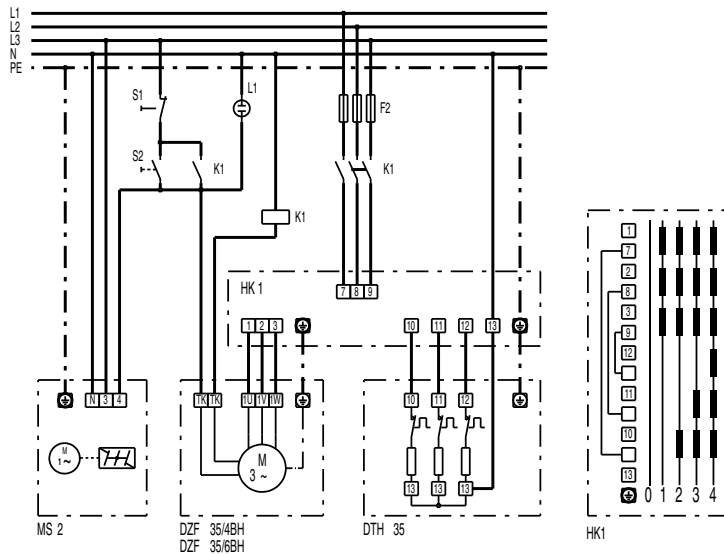
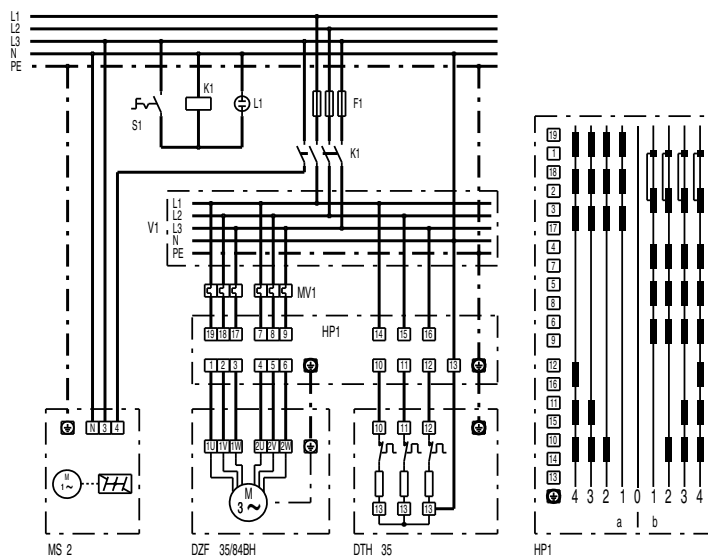


**DTH 35 with DZF 35/...fan BH, single speed**



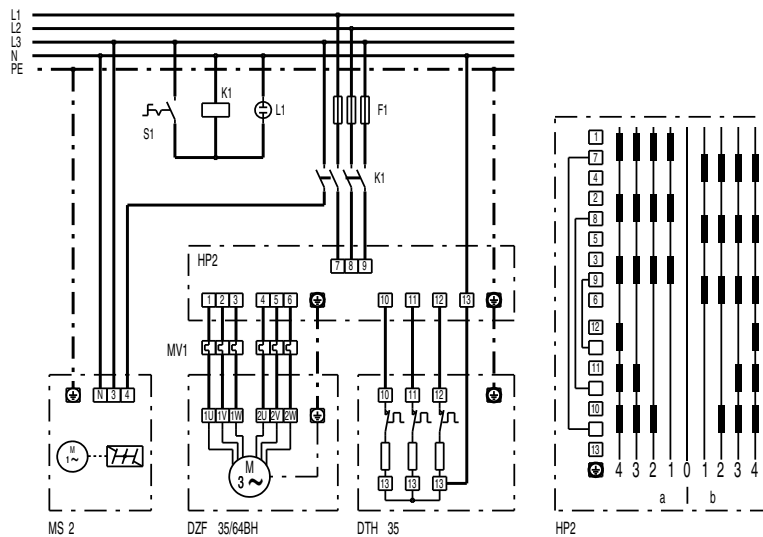
- S1 system off switch
- S2 system on switch
- L1 control light system on
- K1 contactor US 16
- HK 1 combination switch (5 steps) (0=off, 1=on (without heating), 2=on (heating step 1), 3=on (heating step 2), 4=on (heating step 3))
- DTH 35 fresh air heater
- MS 2 shutter with servomotor
- DZF 35.. DZF 35/4 BH or DZF 35/6 BH fan

**DTH 35 with DZF 35/84 BH fan, two speeds, Dahlander circuit**



- S1 system on/off switch
- L1 control light system on
- K1 contactor US 16
- V1 distributor (to be provided by the customer)
- MV 1 protective motor switch, to be supplied by the customer
- HP 1 combination switch (9 steps) (a = slow, b = fast, 0 = off, 1 = on, without heating, slow/fast, 2 = on, heating step 1, slow/fast, 3 = on, heating step 2, slow/fast 4 = on, heating step 3, slow/fast)
- MS 2 servomotor for shutter
- DTH 35 fresh air heater
- DZF 35.. DZF 35/84 BH fan (Dahlander circuit)

### DTH 35 with DZF 35/64 BH, two speeds, separate windings



- S1 system on/off switch
- L1 control light system on
- K1 contactor US 16
- V1 distributor (to be provided by the customer)
- MV 1 motor protection switch, to be supplied by the customer
- HP 2 combination switch (9 steps) (a = slow, b = fast, 0 = off, 1 = on, without heating, slow/fast, 2 = on, heating step 1, slow/fast, 3 = on, heating step 2, slow/fast 4 = on, heating step 3, slow/fast)
- MS2 servomotor for shutter
- DTH 35 fresh air heater
- DZF 35.. DZF 35/64 BH fan (separate windings)