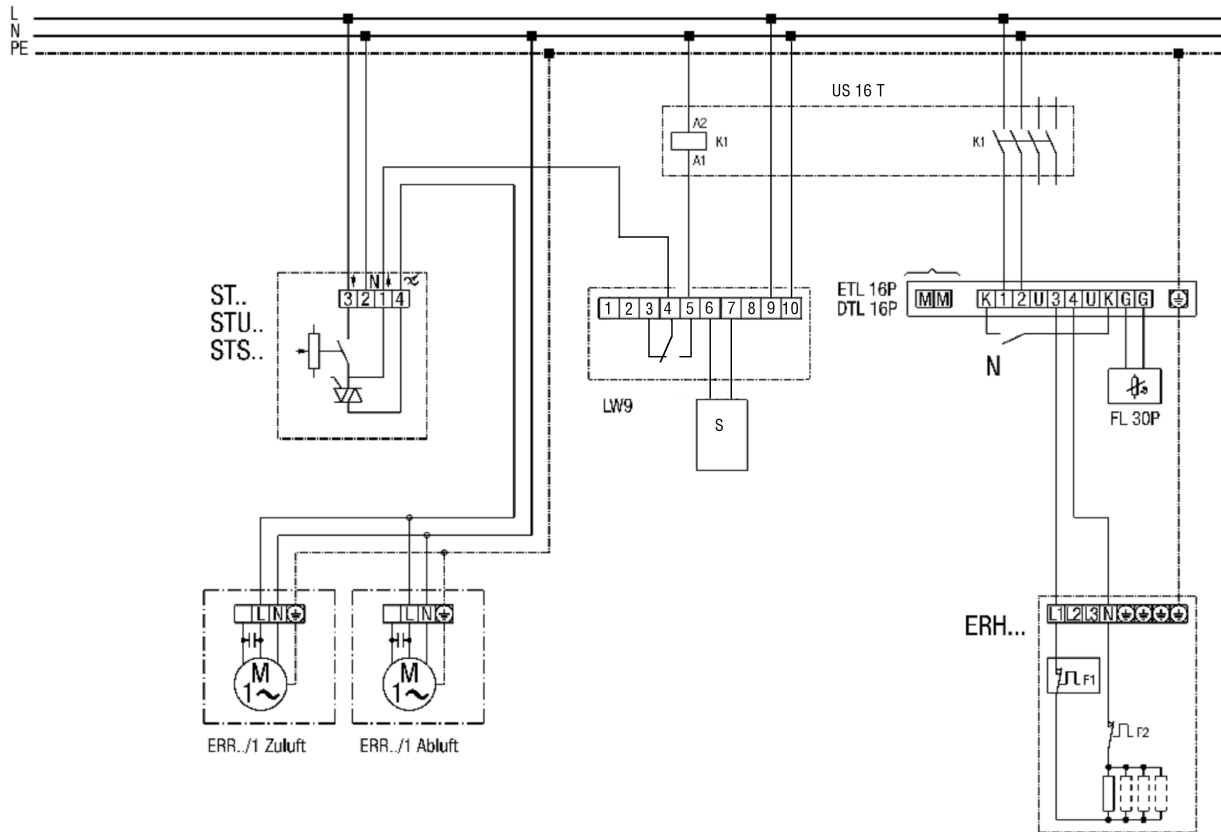


ERH... electric air heater with LW 9 air flow monitor and ST speed controller

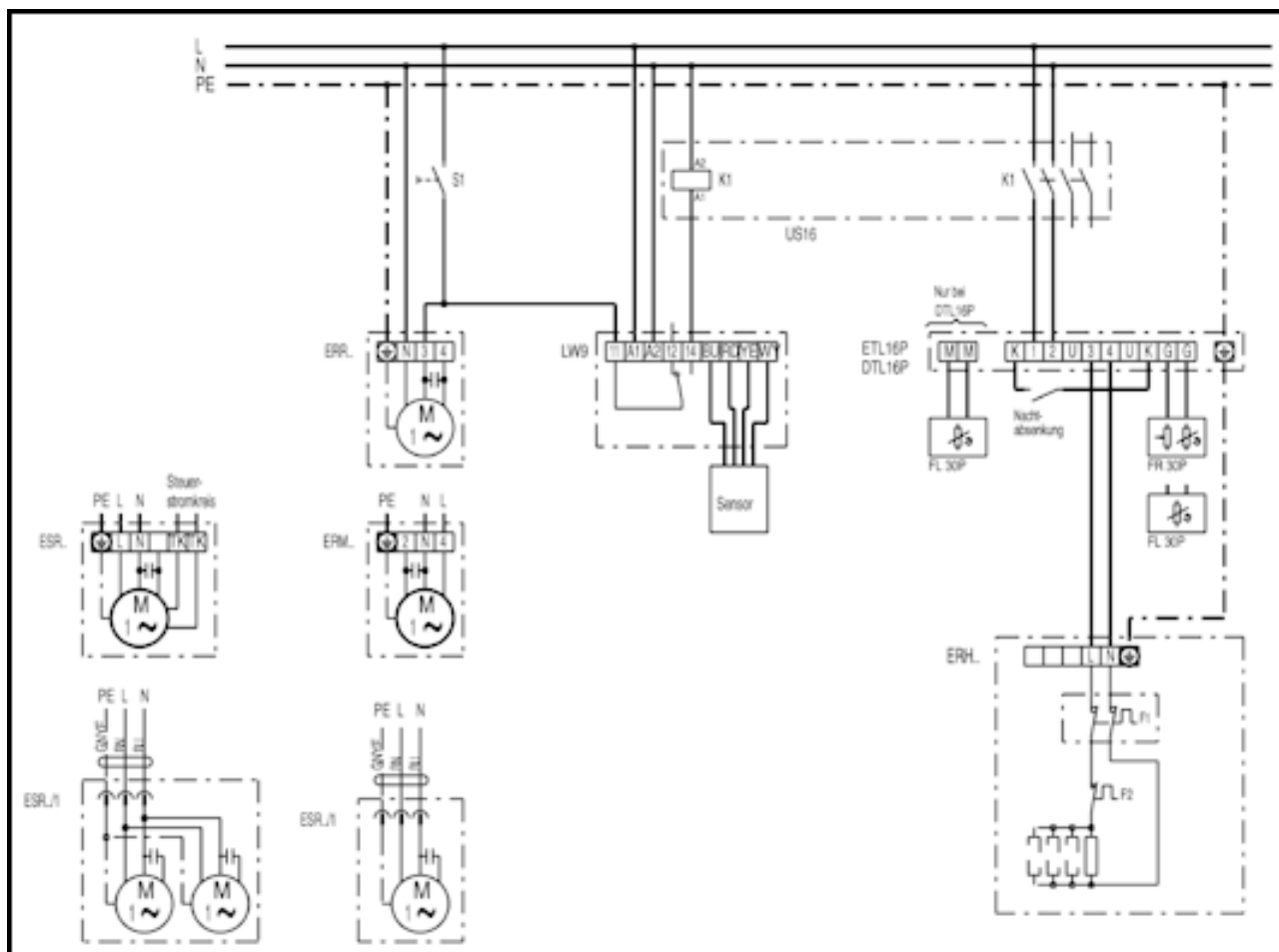


- K1 - heating release (US16T)
- ERR .. / 1 - centrifugal fan
- LW 9 - air flow monitor
- ETL 16 P - electronic temperature controller
- DTL 16 P - electronic temperature controller
- FL 30P channel sensor
- ST.. STU.., STS.. speed controller
- ERH - electric air heater
- F1 - temperature limiter
- F2 - safety temperature limiter
- N - night reduction
- ① Only with DTL 16 P

WIRING DIAGRAM

DTL 16 P

DTL 16 P with ERH... electrical air heater.



- S1 system on
- K1 heating release (US16)
- ERR.. centrifugal duct fan
- ERM.. semi-centrifugal duct fan
- ESR.. centrifugal fan (sound insulated)
- LW 9 air flow monitor (in position N)
- ETL 16P electronic temperature controller
- DTL 16P electronic temperature controller
- FL 30P channel sensor
- FR 30P room sensor with setpoint generator
- ERH.. electrical air heaters
- F1 temperature limiter
- F2 safety temperature limiter