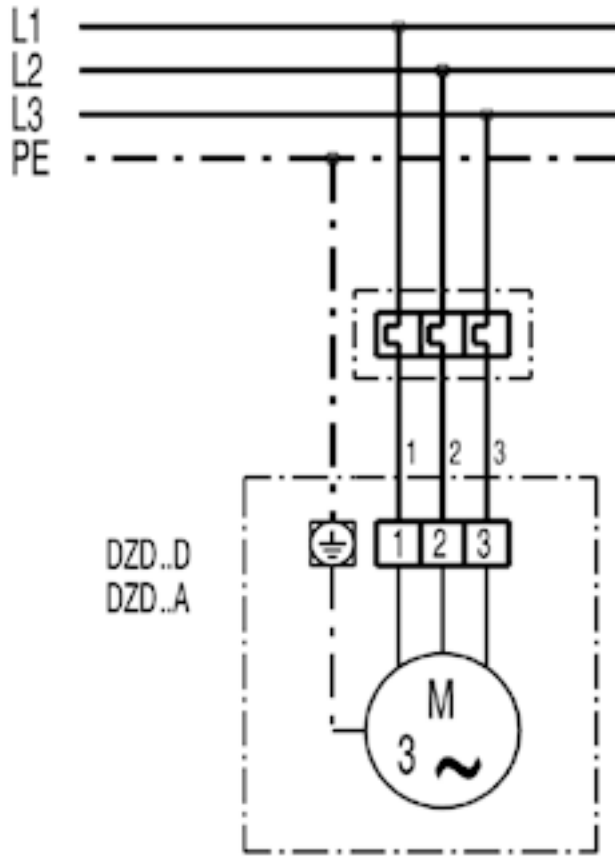


WIRING DIAGRAM

DZD25-2A

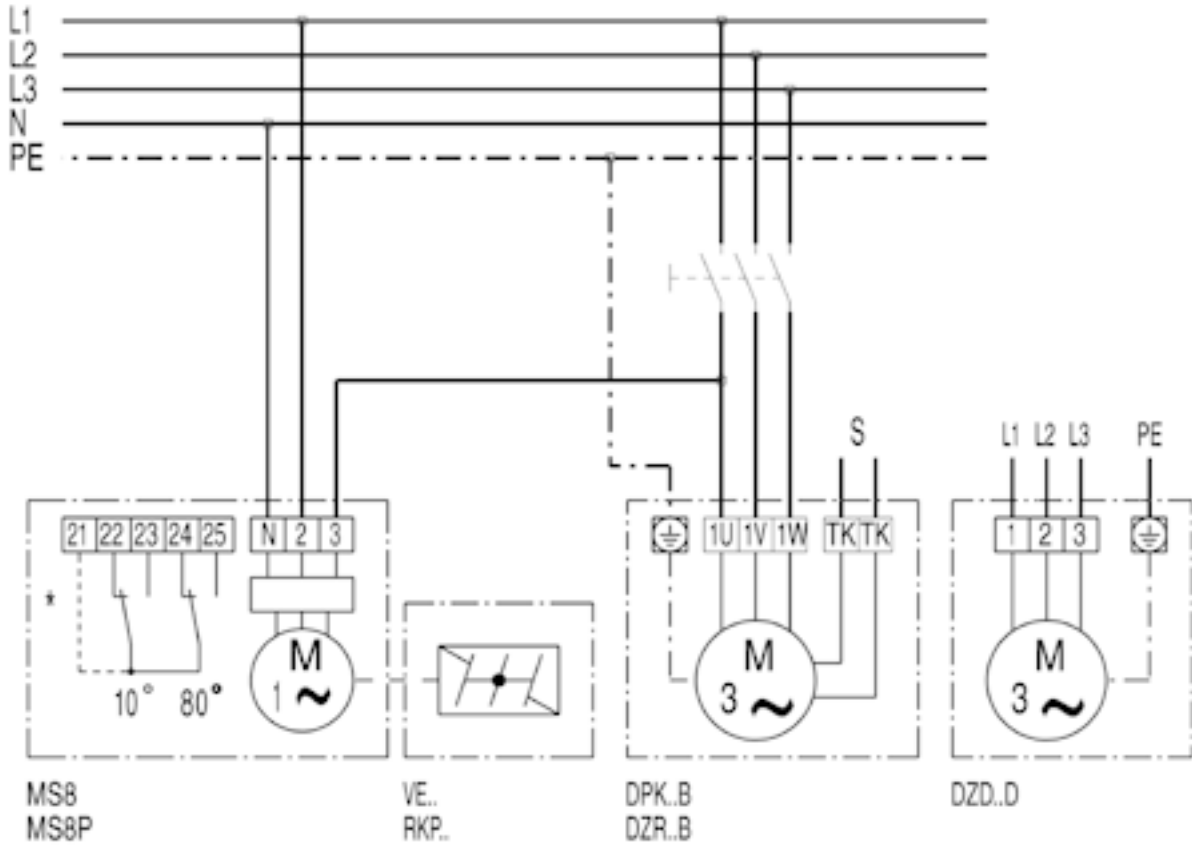


WIRING DIAGRAM

DZD25-2A



DZD...D with VE shutter, RKP and MS 8, MS 8 P servomotor



* Limit switch only for MS 8 P
S control circuit