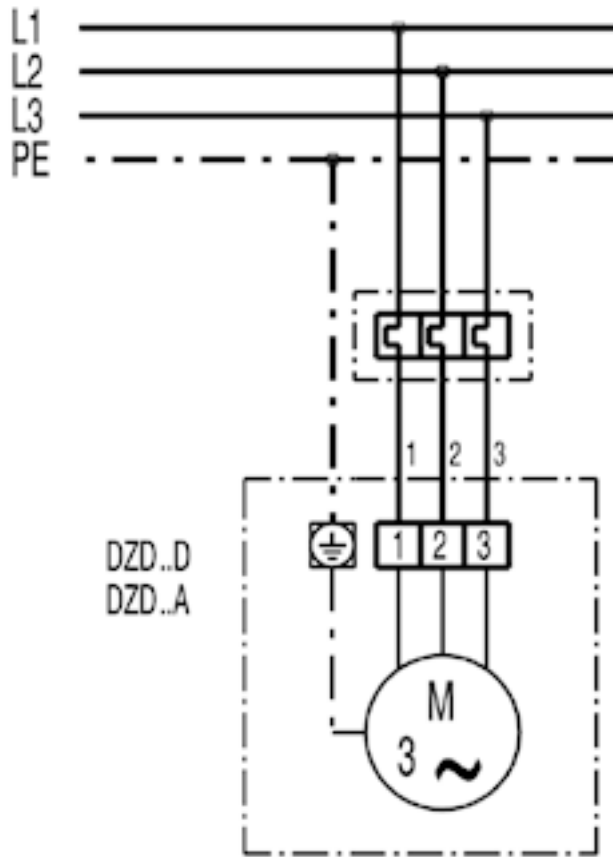


WIRING DIAGRAM

DZD50-4A



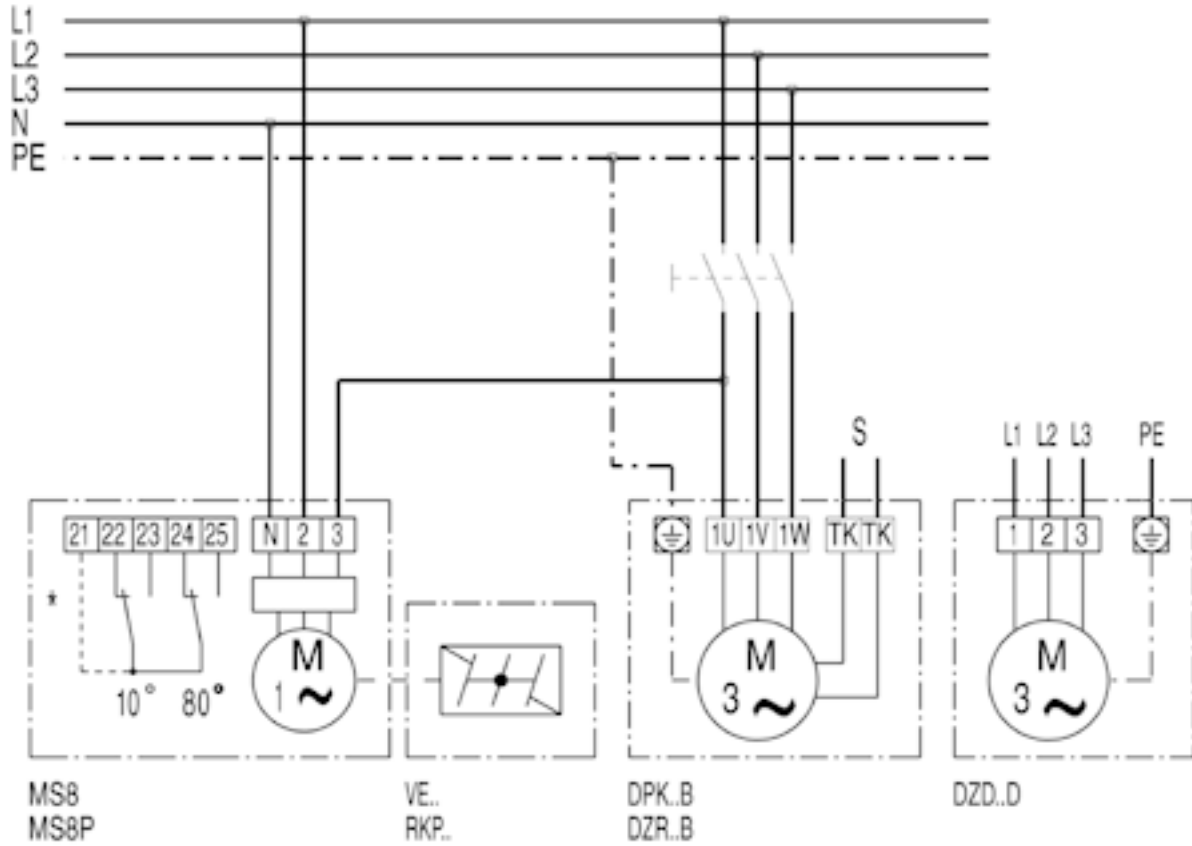
DZD



WIRING DIAGRAM

DZD50-4A

DZD...D with VE shutter, RKP and MS 8, MS 8 P servomotor



* Limit switch only for MS 8 P
S control circuit