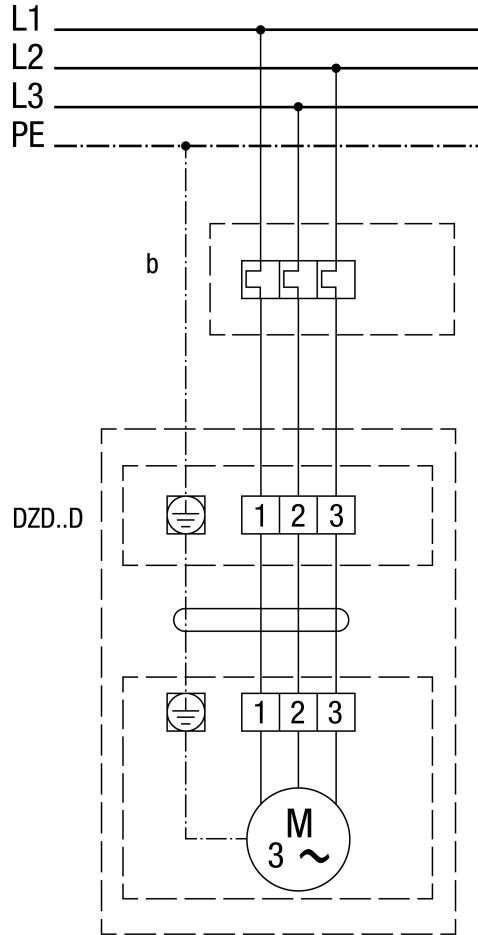


WIRING DIAGRAM

DZD 25/4 D



DZD..D left-hand operation (air extraction) = standard

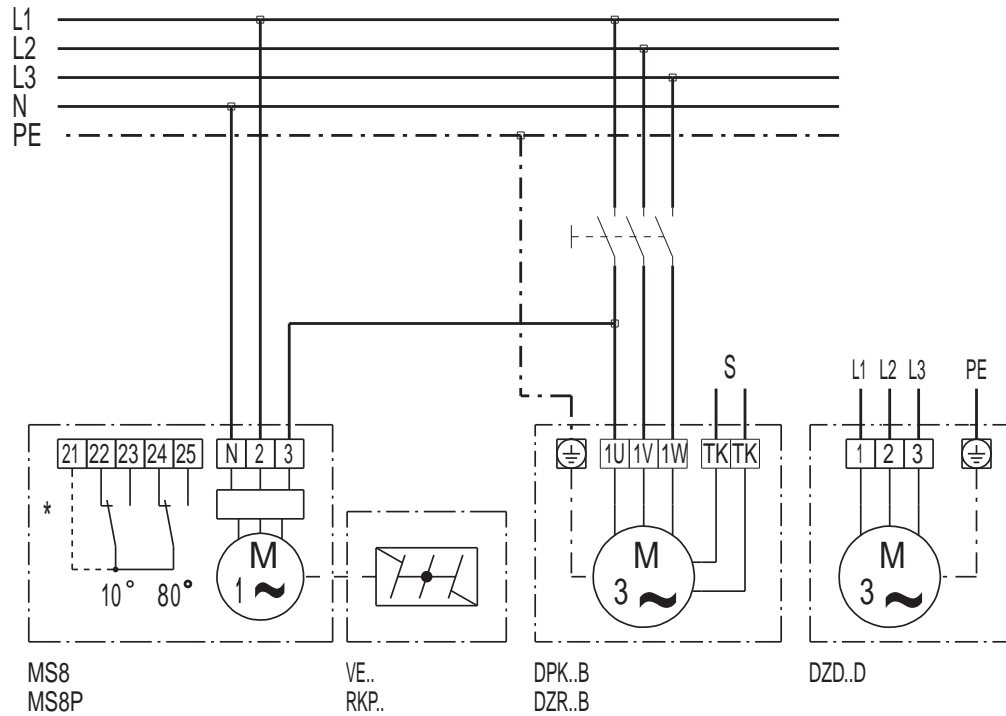


For right-hand operation, swap 2 phases on fan connection
b on site

WIRING DIAGRAM

DZD 25/4 D

DZD...D with VE shutter, RKP and MS 8, MS 8 P servomotor



* Limit switch only for MS 8 P
S control circuit