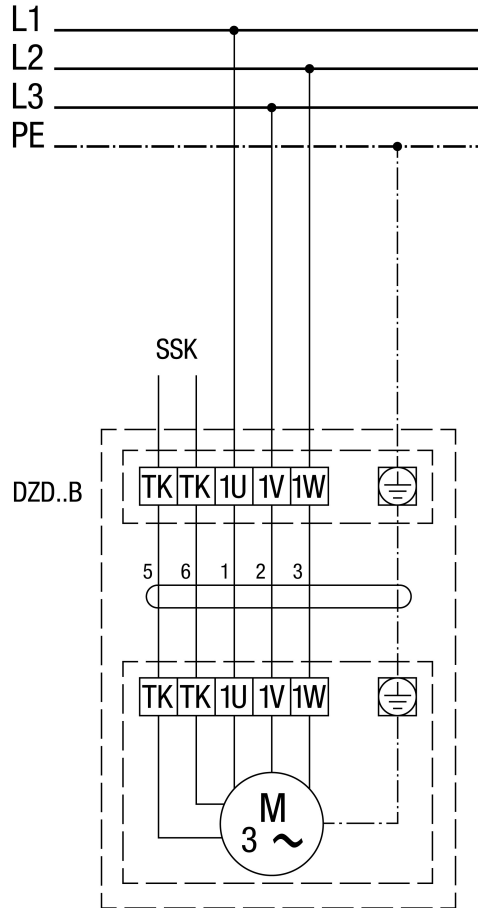


WIRING DIAGRAM

DZD 40/4 B



DZD ..B left-hand operation (air extraction) = standard

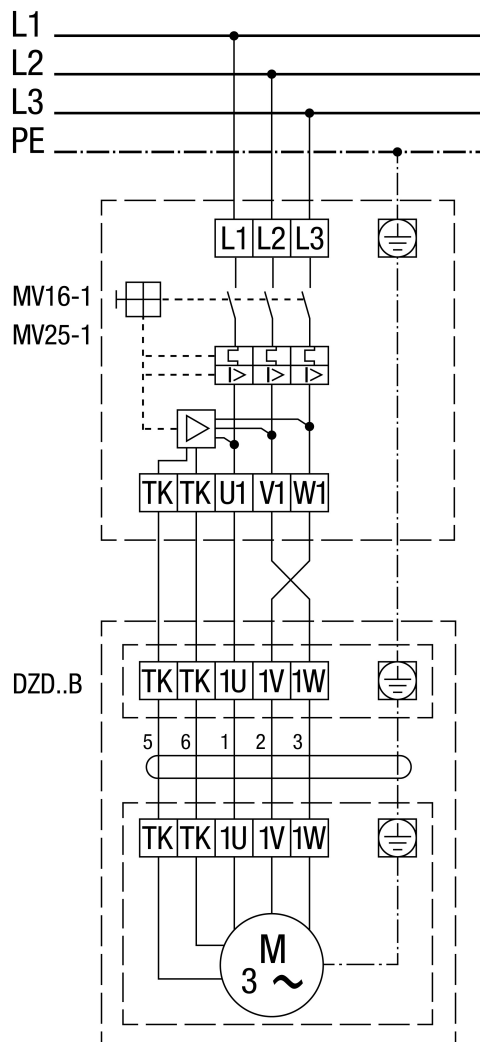


1 speed
SSK - control circuit
For right-hand operation, swap 2 phases on fan connection.

WIRING DIAGRAM

DZD 40/4 B

DZD .. B with MV 16-1/MV 25-1 motor protection switch



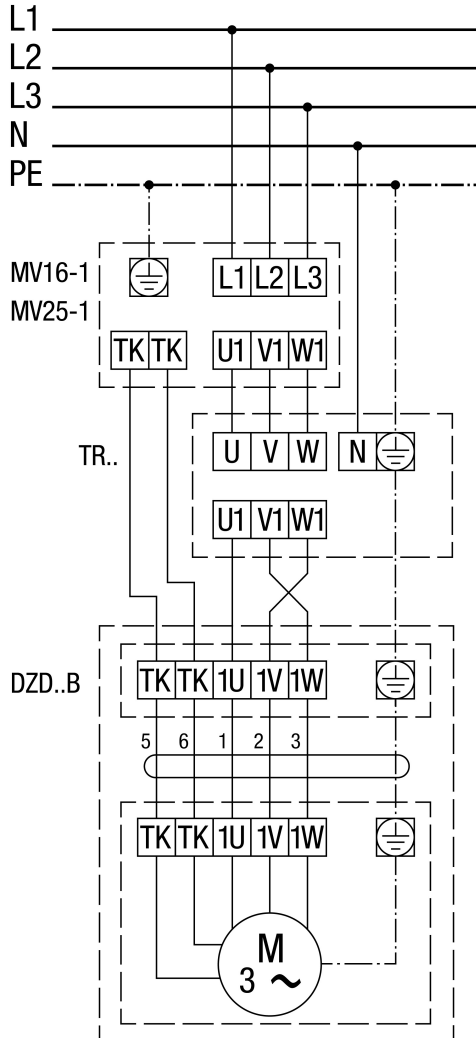
Left-hand operation (air extraction) = standard
For right-hand operation, swap 2 phases on fan connection.

WIRING DIAGRAM

DZD 40/4 B



DZD ..B with TR.. 5-step transformer and MV 16-1/MV 25-1 motor protection switch



Left-hand operation (air extraction) = standard
For right-hand operation, swap 2 phases on fan connection.