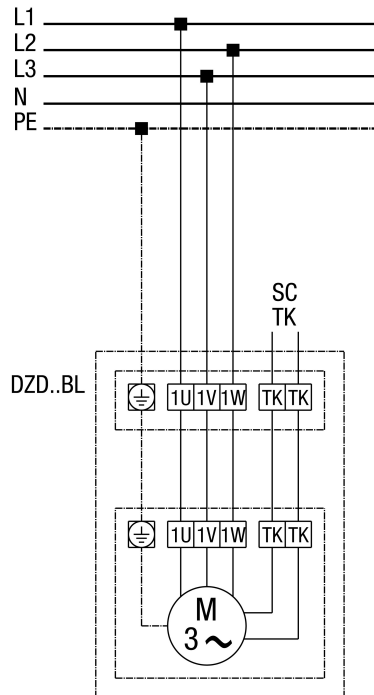


WIRING DIAGRAM

DZD 60/4 BL



DZD...BL standard (counter-clockwise, 1 speed)



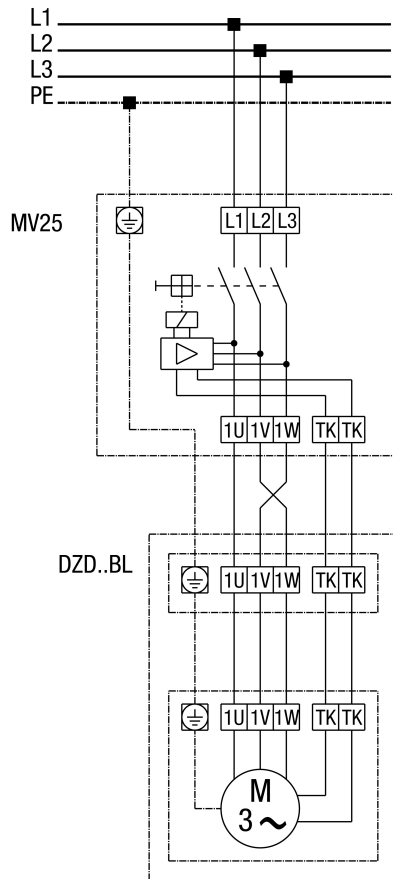
SC - Protection circuit
TK - Thermal contact

WIRING DIAGRAM

DZD 60/4 BL



DZD...BL standard with MV 25 motor protection switch

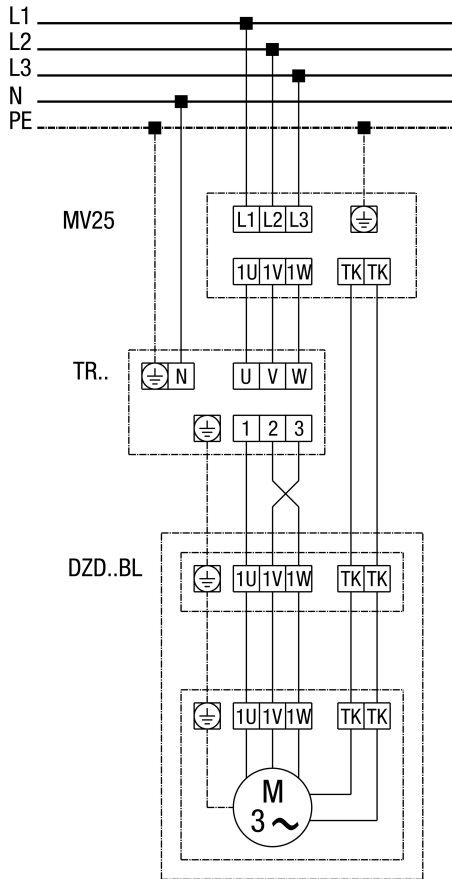


WIRING DIAGRAM

DZD 60/4 BL



DZD...BL with MV 25 motor protection switch and TR... 5-step transformer



WIRING DIAGRAM

DZD 60/4 BL



DZD...BL with TRV... 5-step transformer

