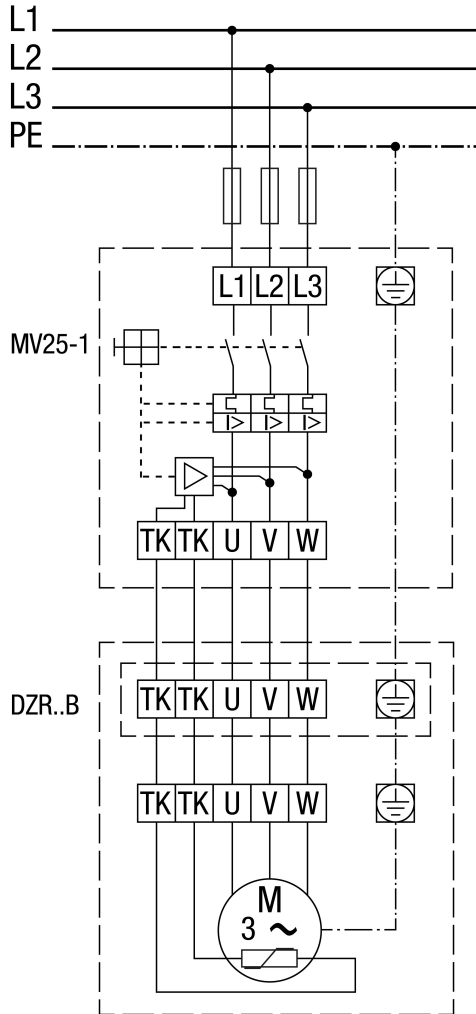


WIRING DIAGRAM

DZR 40/4 B



MV 25-1 motor protection switch



WIRING DIAGRAM

DZR 40/4 B



With MV 25-1 motor protection switch and TR... 5-step transformer

