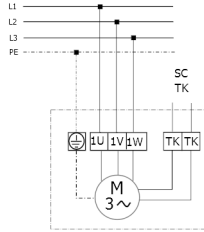


# WIRING DIAGRAM

## DZS 20/2 B

### DZQ/DZS/DZF..B standard (right-hand operation, 1 speed)



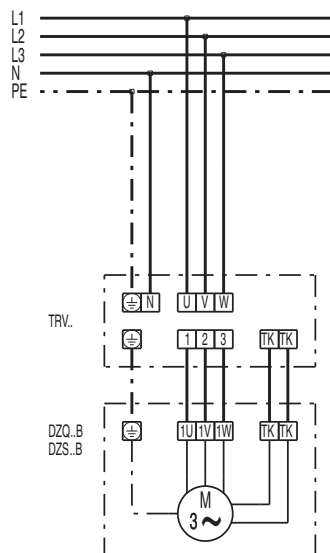
SC - Protection contact  
TK - Thermal contact

### DZQ/DZS/DZF..B standard (left-hand operation, 1 speed)



SC - Protection contact  
TK - Thermal contact

### DZQ / DZS..B with TRV.. 5-step transformer

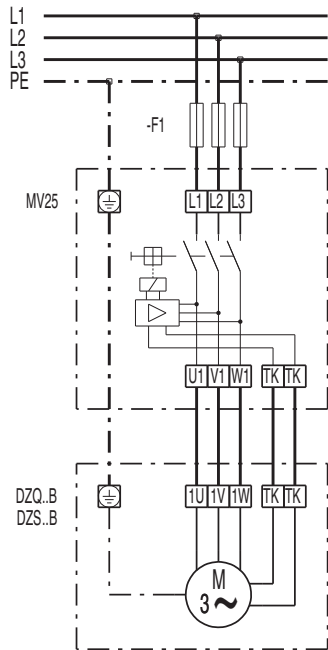


# WIRING DIAGRAM

## DZS 20/2 B



### DZQ / DZS..B 1 speed with MV 25 motor protection switch

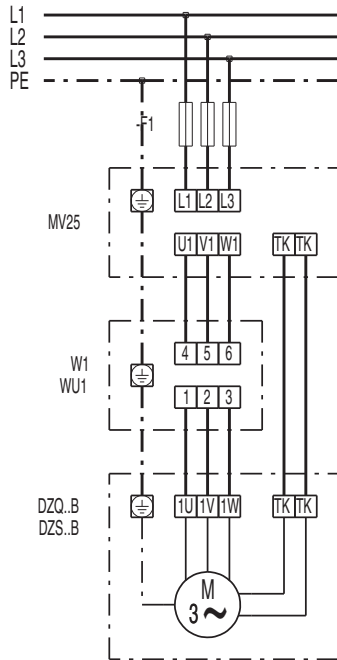


# WIRING DIAGRAM

## DZS 20/2 B



### DZQ / DZS..B with W 1 / WU 1 reversing switch and MV 25 motor protection switch

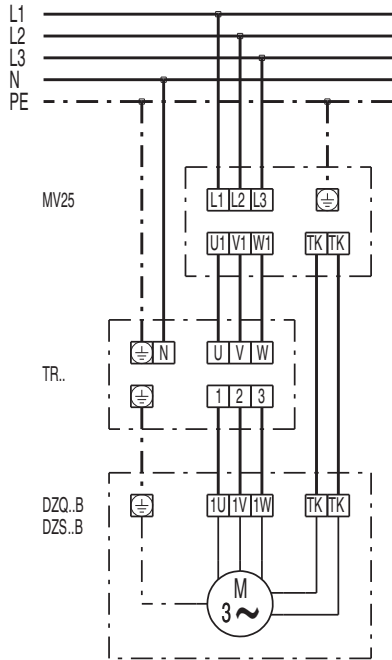


# WIRING DIAGRAM

## DZS 20/2 B



### DZQ / DZS..B with TR 5-step transformer



# WIRING DIAGRAM

## DZS 20/2 B



DZQ / DZS..B with 5-step transformer, TR..S control cabinet, DSS 20 5-step switch and MV 25 motor protection switch

