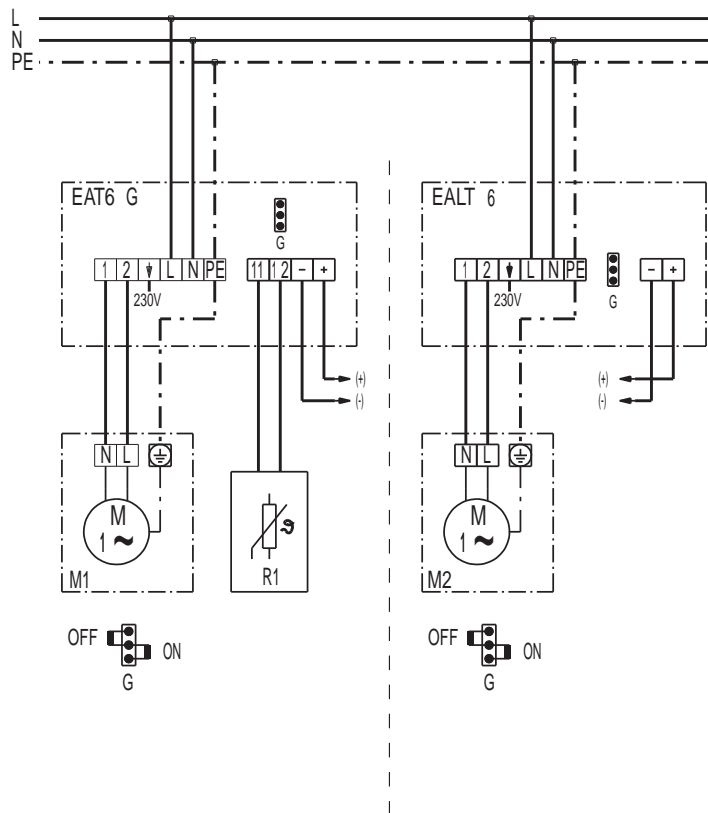


WIRING DIAGRAM

EAT 6 G



- EAT 6 G - temperature controller
- R1 - temperature sensor
- M1 - fan 1
- EALT 6 - power module
- M2 - fan 2
- G - value limit