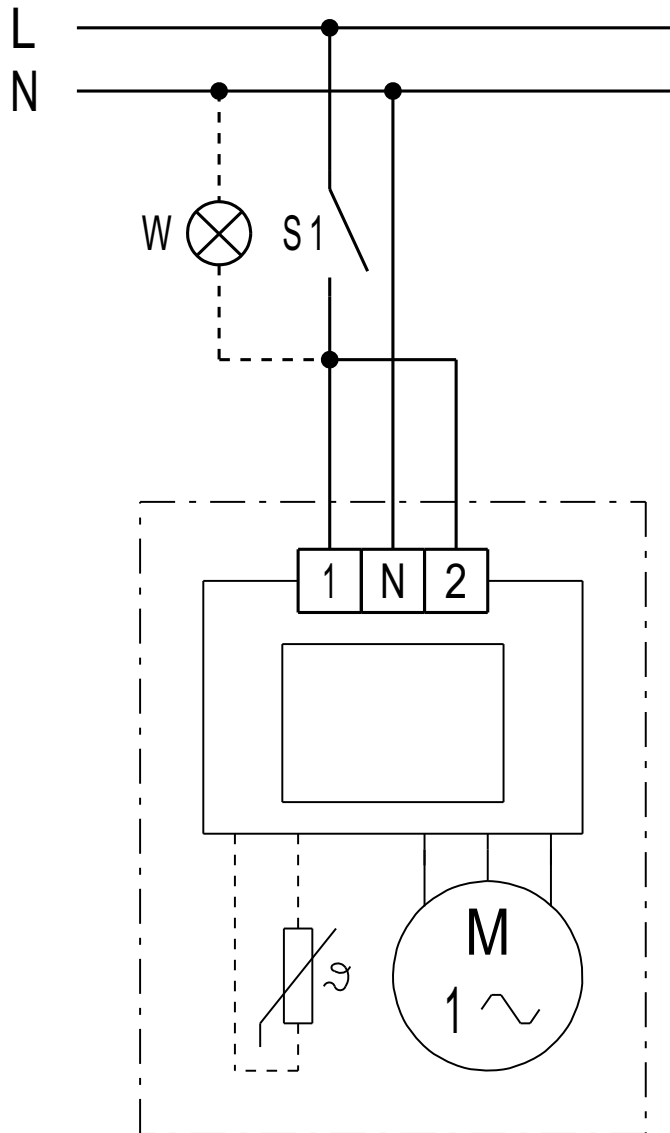


WIRING DIAGRAM

ECA 150 ipro

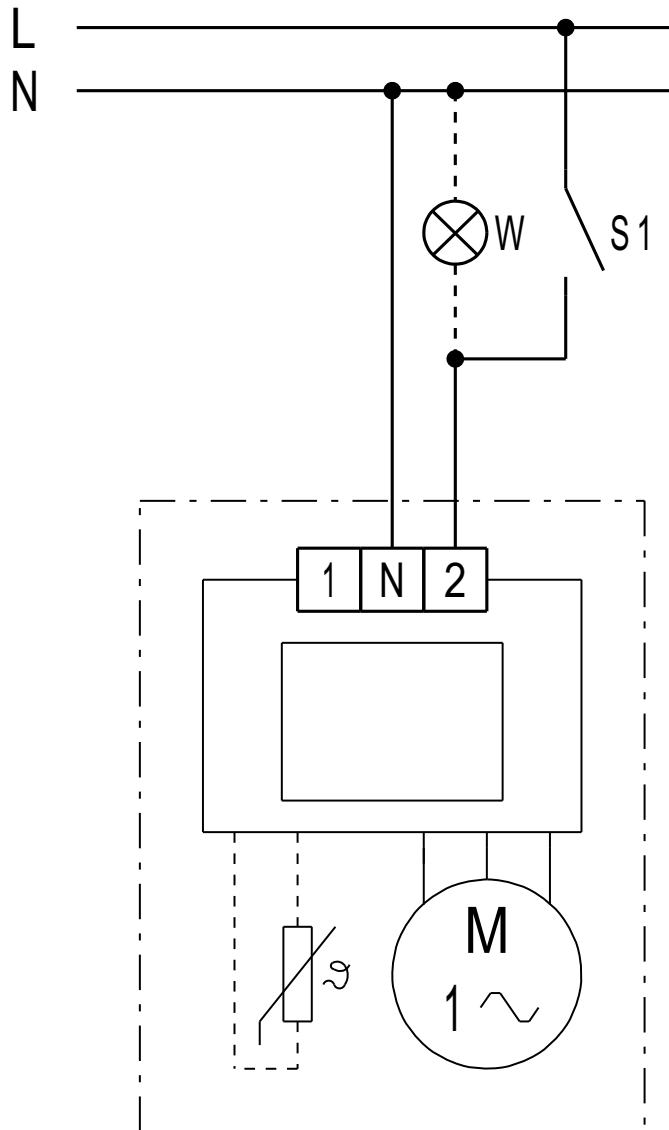
Nominal speed, high level



WIRING DIAGRAM

ECA 150 ipro

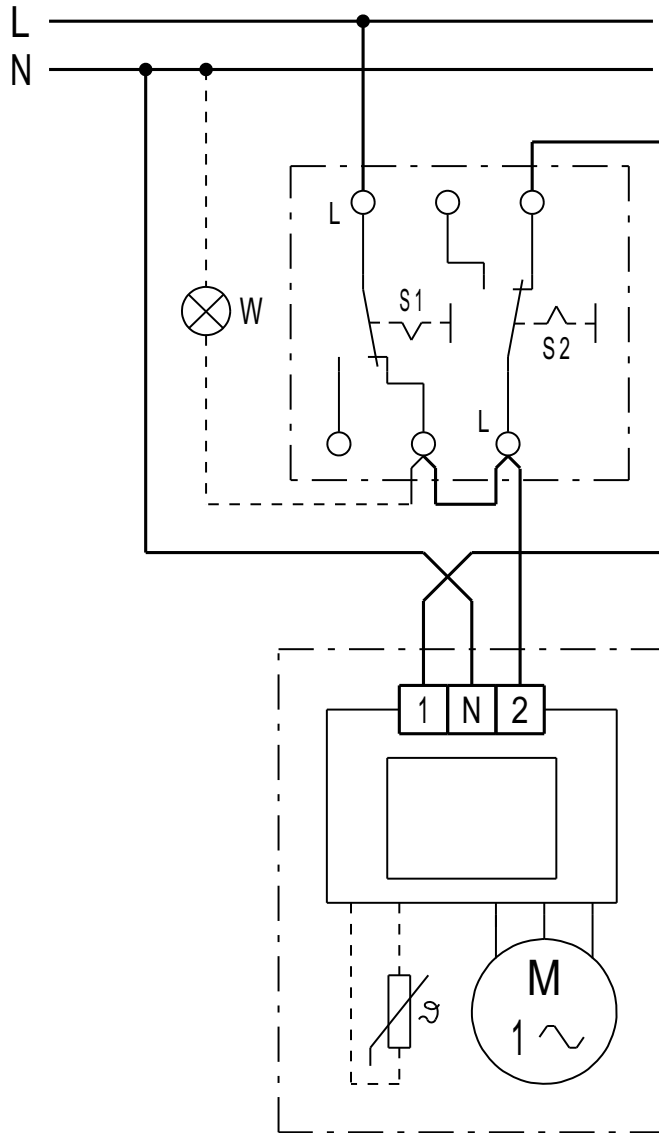
Nominal speed, low level



WIRING DIAGRAM

ECA 150 ipro

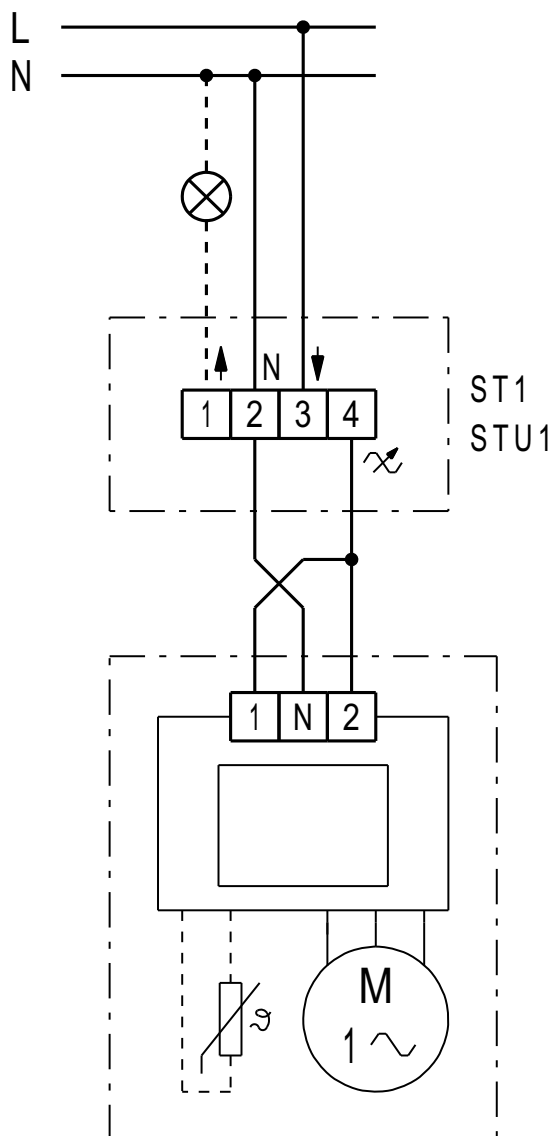
2 speed levels (high and low level)



WIRING DIAGRAM

ECA 150 ipro

Speed can be adjusted with ST 1 / STU 1

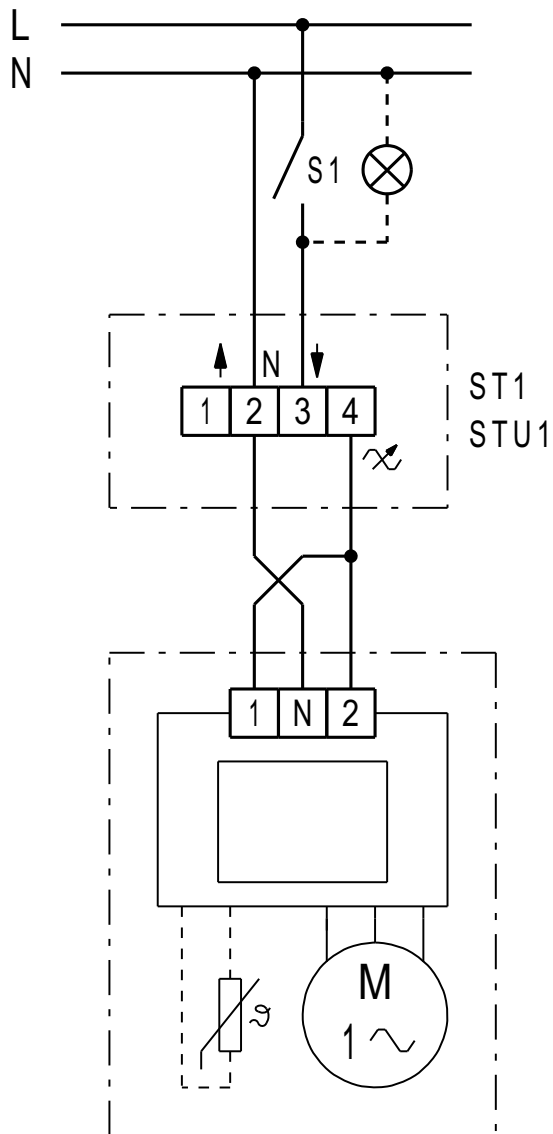


ST 1 speed controller, surface-mounted
STU 1 speed controller, recess-mounted

WIRING DIAGRAM

ECA 150 ipro

Speed can be adjusted with ST 1 / STU 1



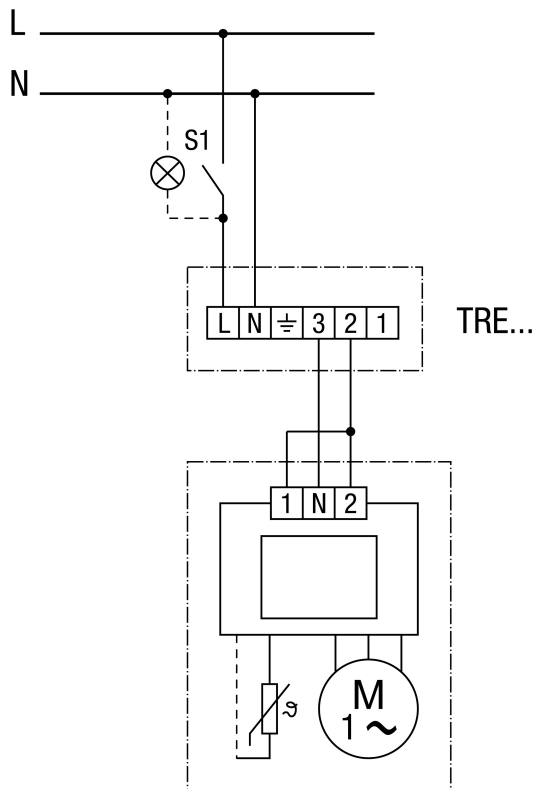
ST 1 speed controller, surface-mounted
STU 1 speed controller, recess-mounted

WIRING DIAGRAM

ECA 150 ipro



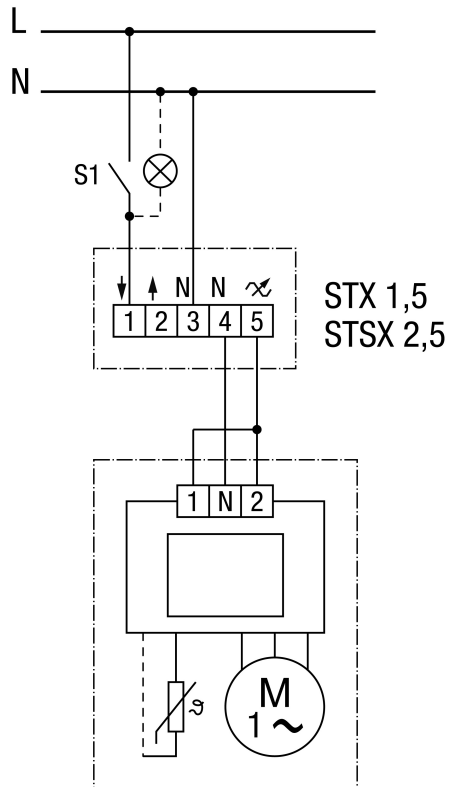
Speed adjustable with TRE...



WIRING DIAGRAM

ECA 150 ipro

ECA 150 ipro, ECA 150 ipro K with STX/STSX speed controller



WIRING DIAGRAM

ECA 150 ipro

ECA 150 ipro, ECA 150 ipro K with STX/STSX speed controller

