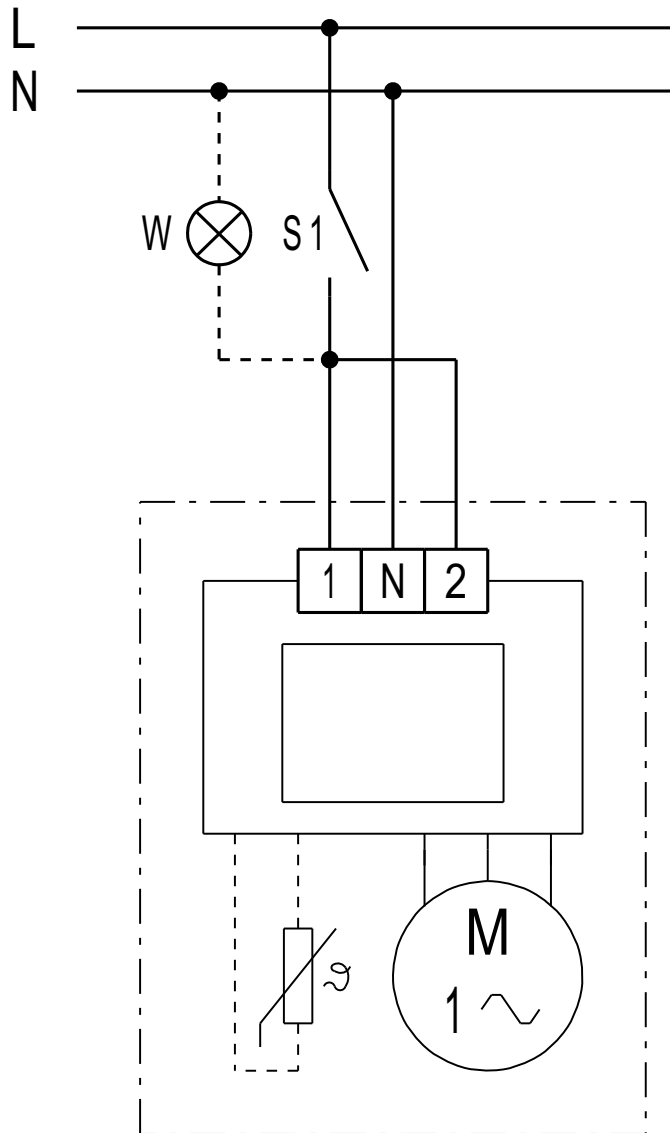


# WIRING DIAGRAM

## ECA 150 ipro K

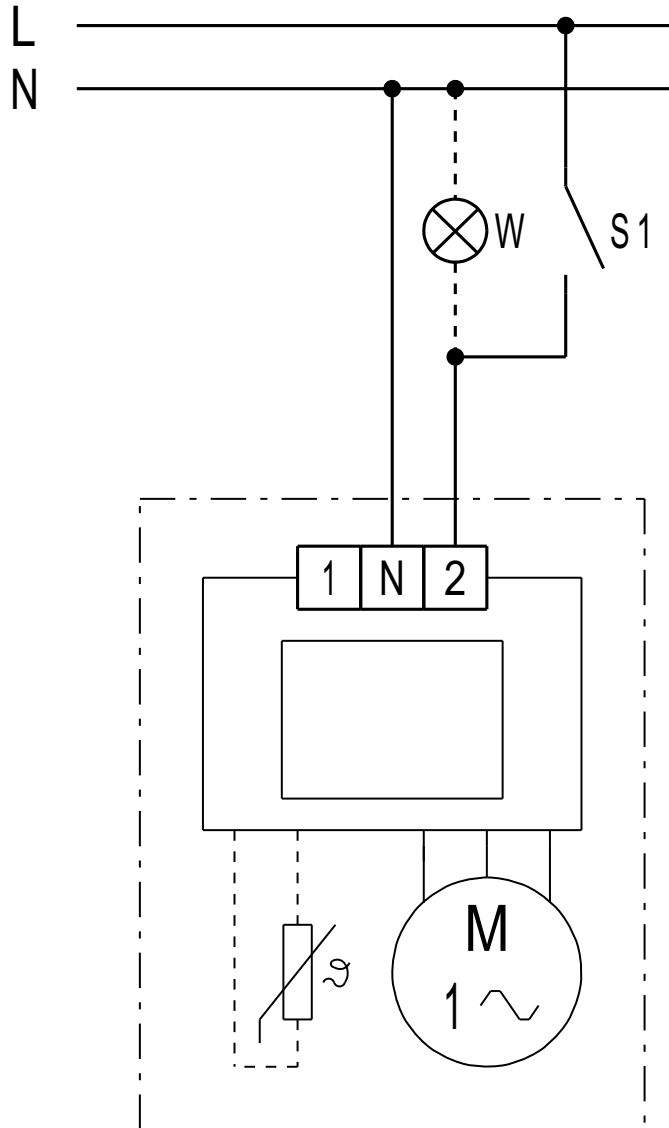
Nominal speed, high level



# WIRING DIAGRAM

## ECA 150 ipro K

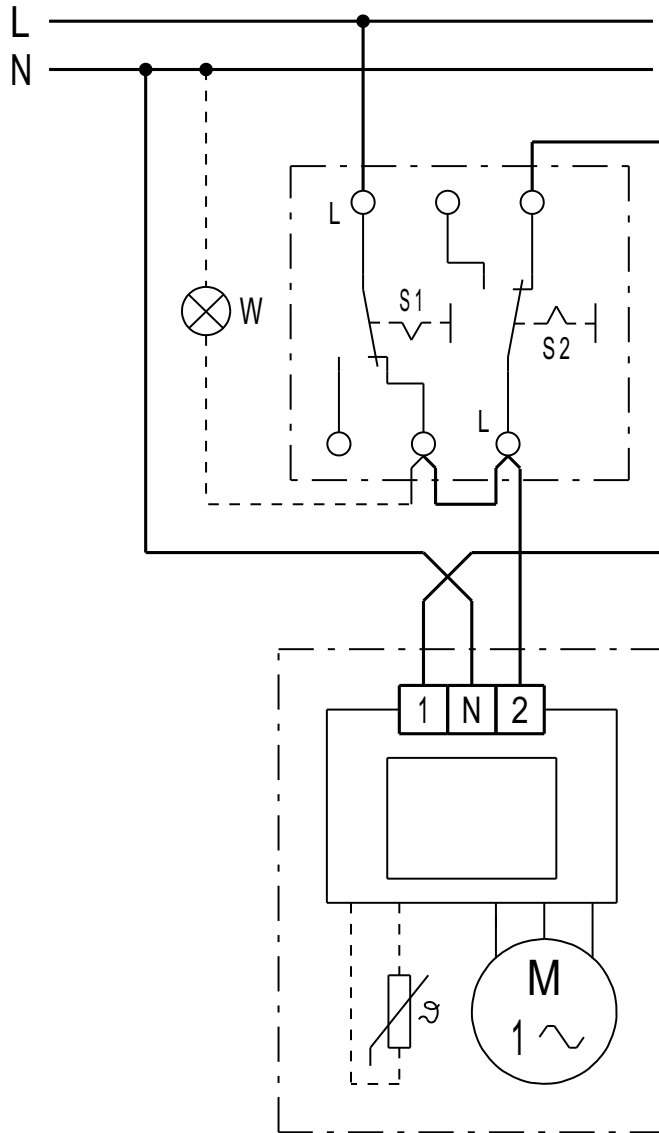
Nominal speed, low level



# WIRING DIAGRAM

## ECA 150 ipro K

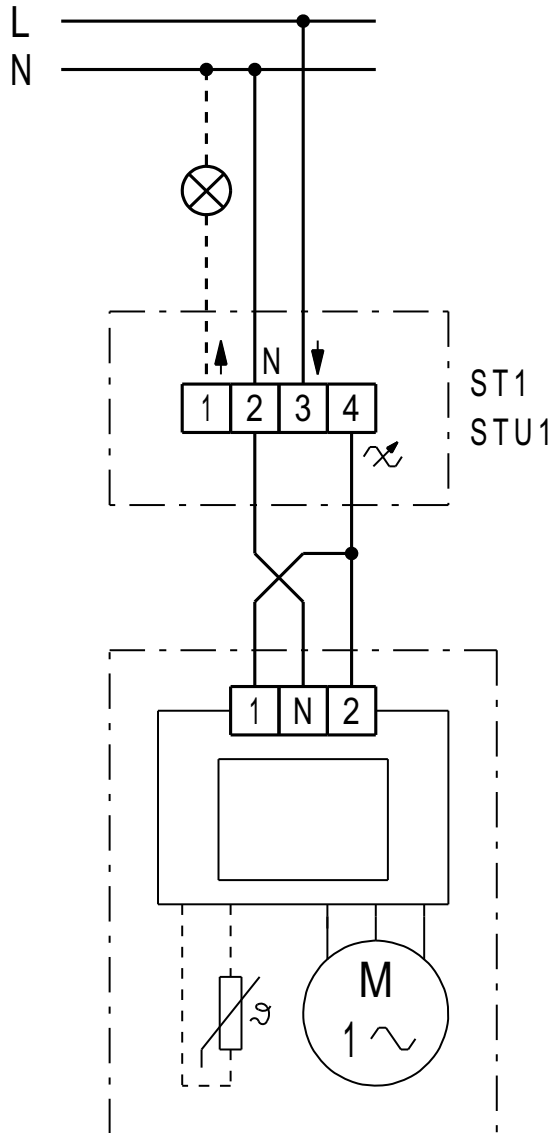
2 speed levels (high and low level)



# WIRING DIAGRAM

## ECA 150 ipro K

Speed can be adjusted with ST 1 / STU 1

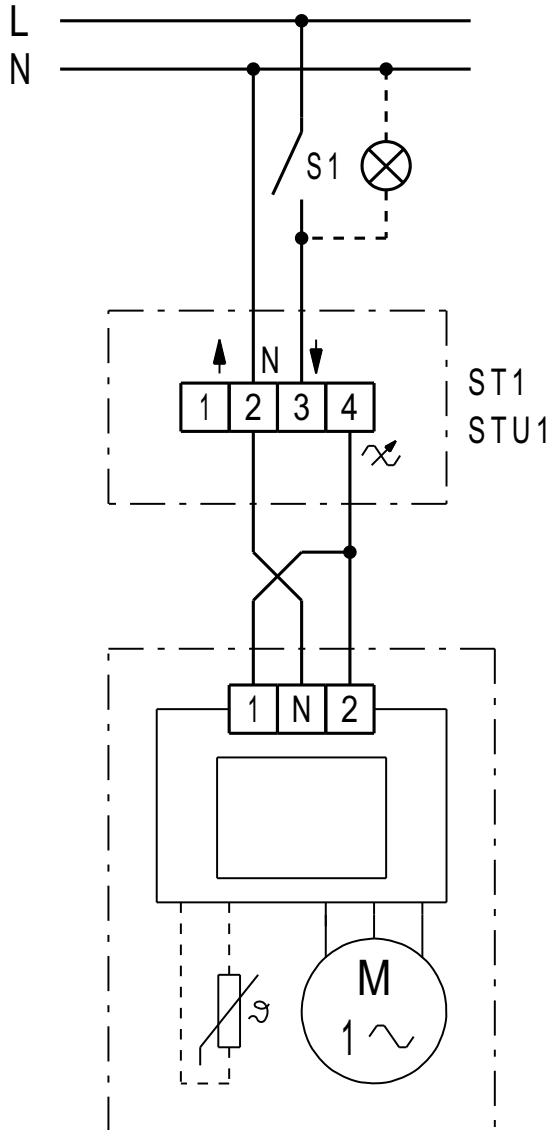


ST 1 speed controller, surface-mounted  
STU 1 speed controller, recess-mounted

# WIRING DIAGRAM

## ECA 150 ipro K

Speed can be adjusted with ST 1 / STU 1



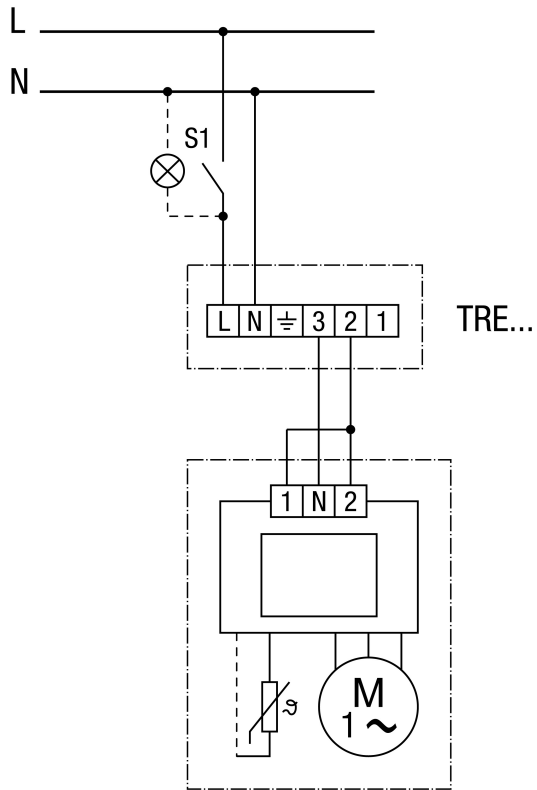
ST 1 speed controller, surface-mounted  
STU 1 speed controller, recess-mounted

# WIRING DIAGRAM

## ECA 150 ipro K



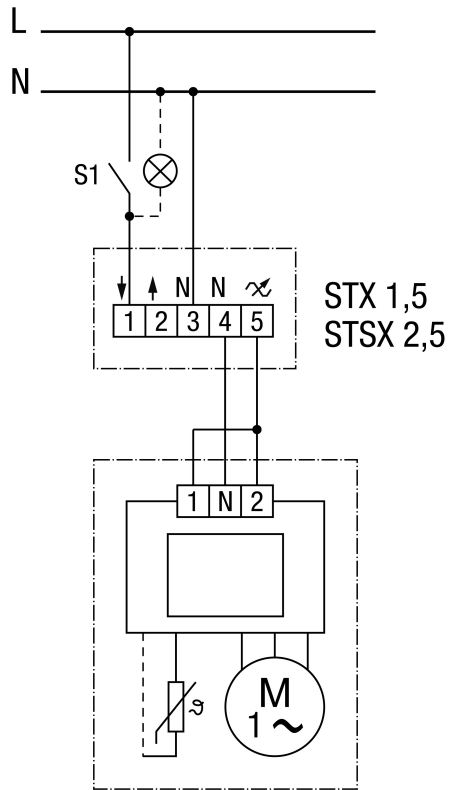
Speed adjustable with TRE...



# WIRING DIAGRAM

## ECA 150 ipro K

ECA 150 ipro, ECA 150 ipro K with STX/STSX speed controller



# WIRING DIAGRAM

## ECA 150 ipro K

ECA 150 ipro, ECA 150 ipro K with STX/STSX speed controller

