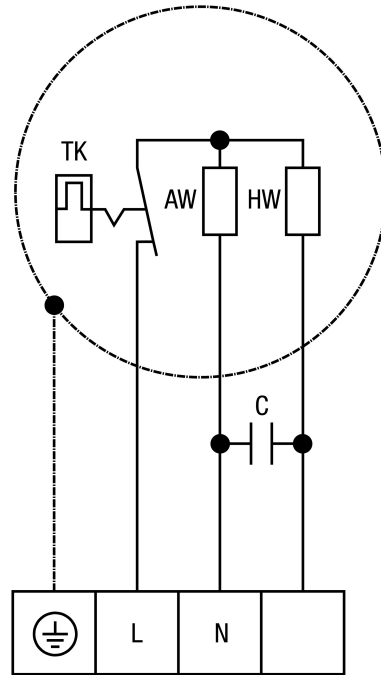


WIRING DIAGRAM

EDR 25



EDR 25, EDR 31, EDR 35 and EDR 40



TK - Thermal contact
