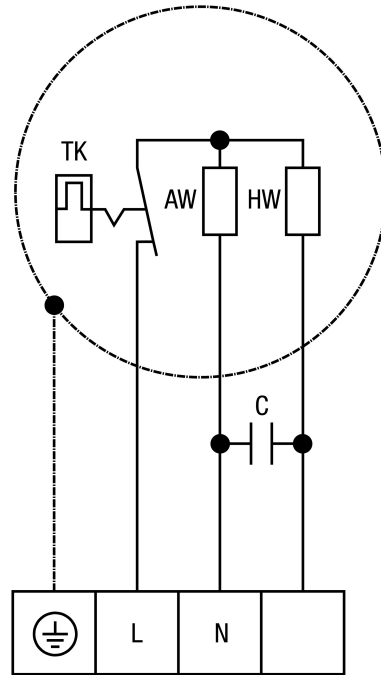


# WIRING DIAGRAM

## EDR 35



EDR 25, EDR 31, EDR 35 and EDR 40



TK - Thermal contact

---