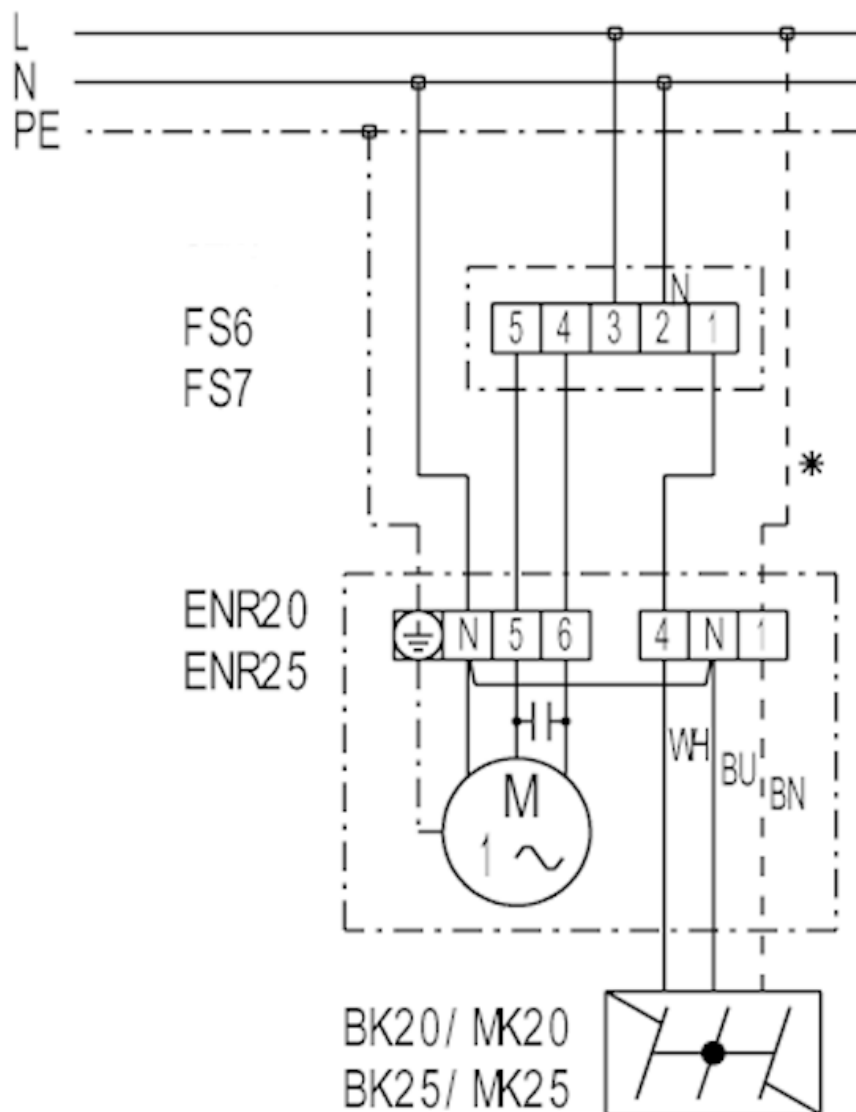


ENR 25 with FS 6, FS 7 reversing switch



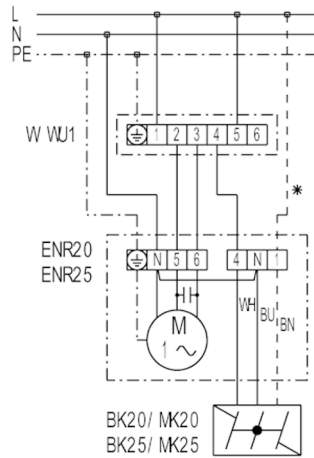
FS 6 - Step switch for (2-speed, air extraction or ventilation)

FS 7 - Reversing switch (air extraction or ventilation)

* - duct only for MK... shutter

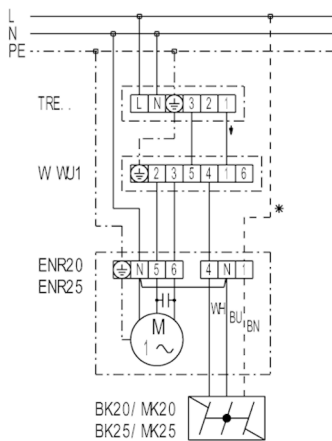
ENR 25

ENR 25 with W 1, WU 1 reversing switch



- W 1 - Reversing switch (air extraction or ventilation), surface mounted
- WU 1 - Reversing switch (air extraction or ventilation), recessed mounted
- * - duct only for MK... shutter

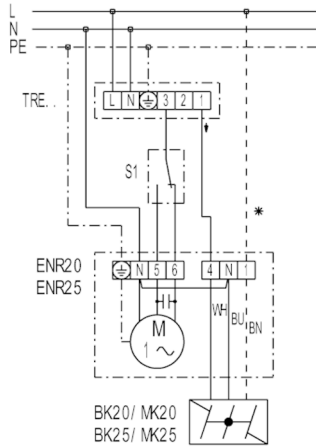
ENR 25 with TRE 5-step transformer and W 1, WU 1 reversing switch



- TRE - 5-step transformer (on/off, 5-speed)
- W 1 - Reversing switch (air extraction or ventilation), surface mounted
- WU 1 - Reversing switch (air extraction or ventilation), recessed mounted
- * - duct only for MK... shutter

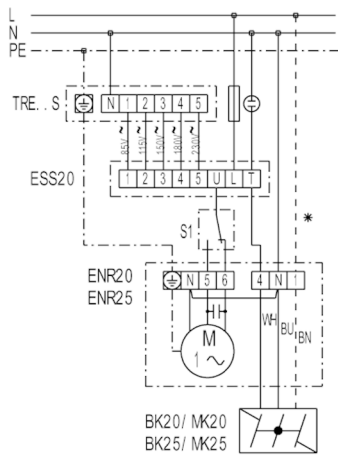
ENR 25

EN 25 with TRE 5-step transformer and three-position switch



- TRE - 5-step transformer (on/off, 5-speed)
- S1 - Reversing switch (air extraction or ventilation)
- * - duct only for MK... shutter

ENR 25 with TRE..S 5-step transformer and ESS 20 5-step switch



- TRE - 5-step transformer, control cabinet installation
- ESS 20 - 5-step switch (on/off, 5-speed)
- S1 - Reversing switch (air extraction or ventilation)
- * - duct only for MK... shutter