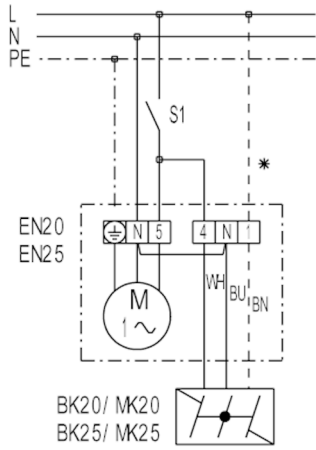


# WIRING DIAGRAM

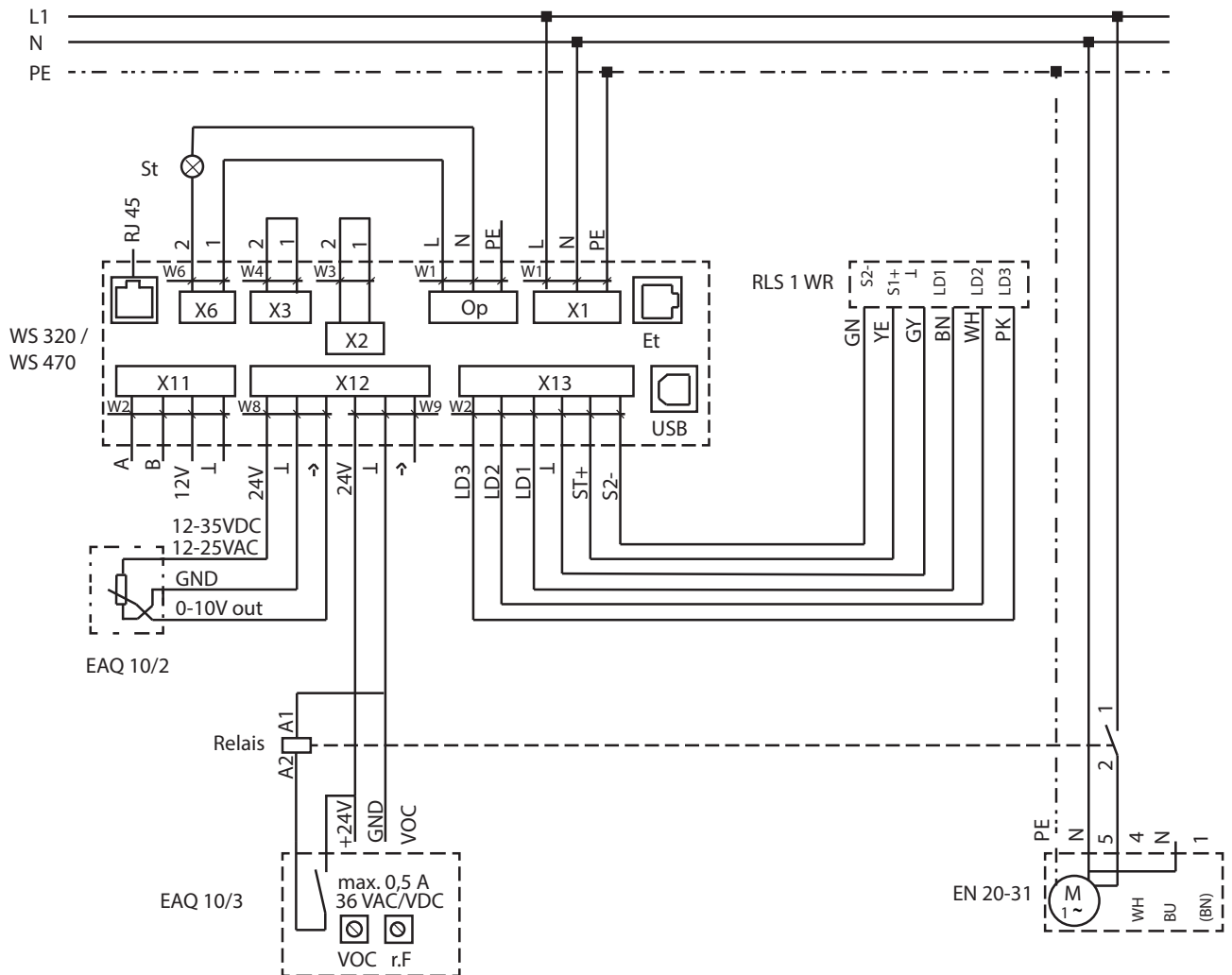
## EN 20

### EN 20, EN 25, EN 31 with on/off switch



- S1 - On/off with off switch
  - S1 - On/off with off TH... thermostat
  - S1 - On/off with off HY 5 hygrostat
  - S1 - On/off with off EAQ 10 air quality controller
  - \* - duct only for MK... shutter
-

### Connection example: potential-free contact of EAQ 10/3 air quality controller



In the wiring diagram, the EAQ 10/3 is operated in a party cellar along with an EN wall-mounted fan.

Fuse protection provided by customer

St - Fault message

Et - Ethernet

X1 - Mains

X2 - 12V/2A

X3 - 230V/16A

X6 - 230V/5A

X11 - RS485

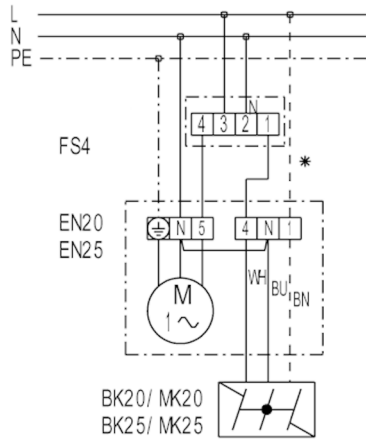
X12 - Sensors

X13 - RLS

r.H. - Humidity

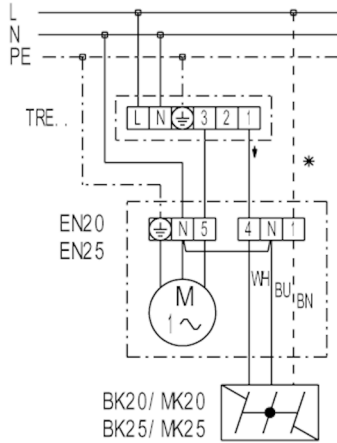
**EN 20**

**EN 20, EN 25, EN 31 with FS 4 step switch**



FS 4 - Step switch for 2 speeds  
 \* - duct only for MK... shutter

**EN 20, EN 25, EN 31 with TRE 5-step transformer**

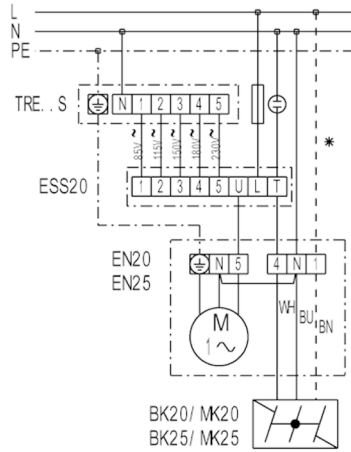


TRE - 5-step transformer (on/off, 5-speed)  
 \* - duct only for MK... shutter

# WIRING DIAGRAM

## EN 20

EN 20, EN 25, EN 31 with TRE..S 5-step transformer and ESS 20 5-step switch.



TRE...S - 5-step transformer, control cabinet

ESS 20 - 5-step switch (on/off, 5-speed)

\* - duct only for MK... shutter