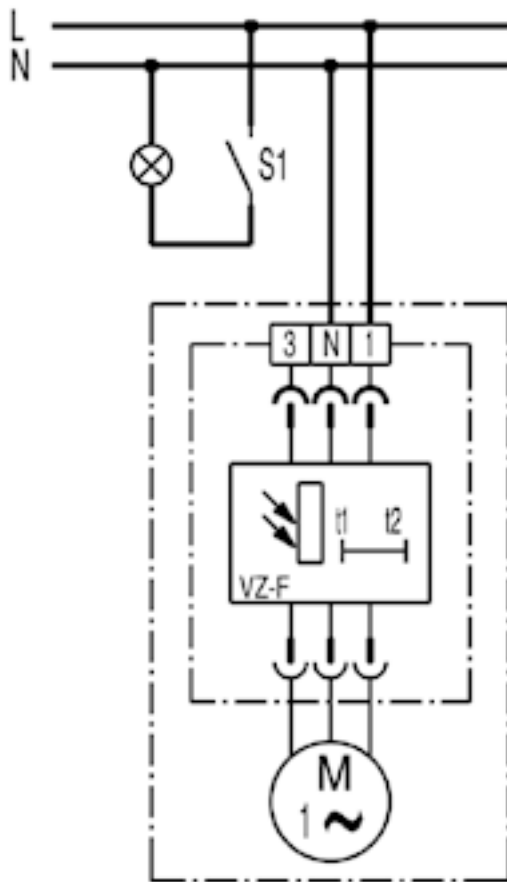


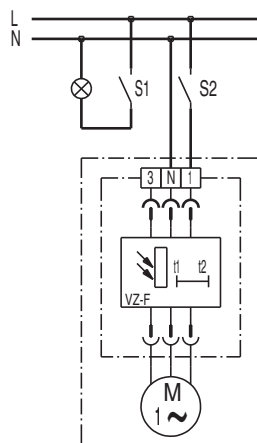
# WIRING DIAGRAM

## ER-APB 60 F



S1 On (after approx. 50 s)

### Switching option



## WIRING DIAGRAM

# ER-APB 60 F



S1 On (after approx. 50 s)

In addition, the fan can be switched off by switch S2 independent of the room lighting.

---