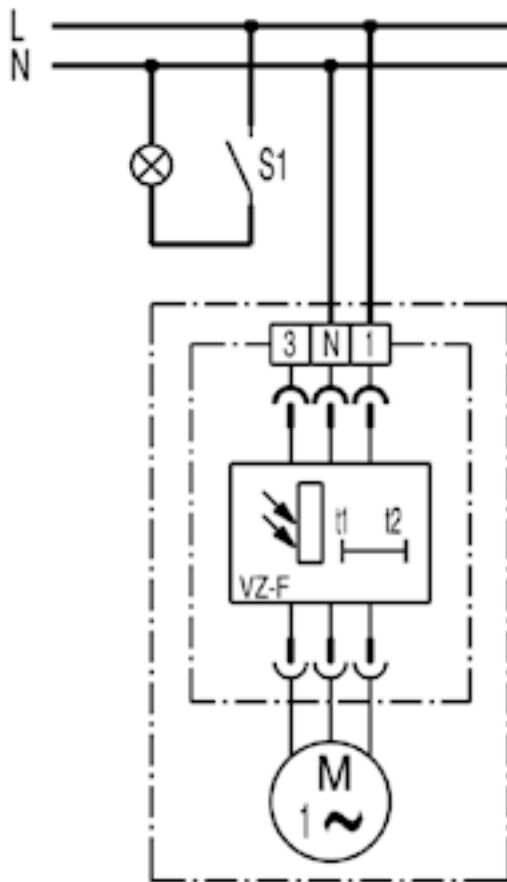


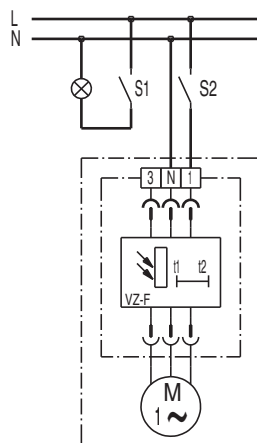
WIRING DIAGRAM

ER-APB 60 F



S1 On (after approx. 50 s)

Switching option



WIRING DIAGRAM

ER-APB 60 F



S1 On (after approx. 50 s)

In addition, the fan can be switched off by switch S2 independent of the room lighting.
