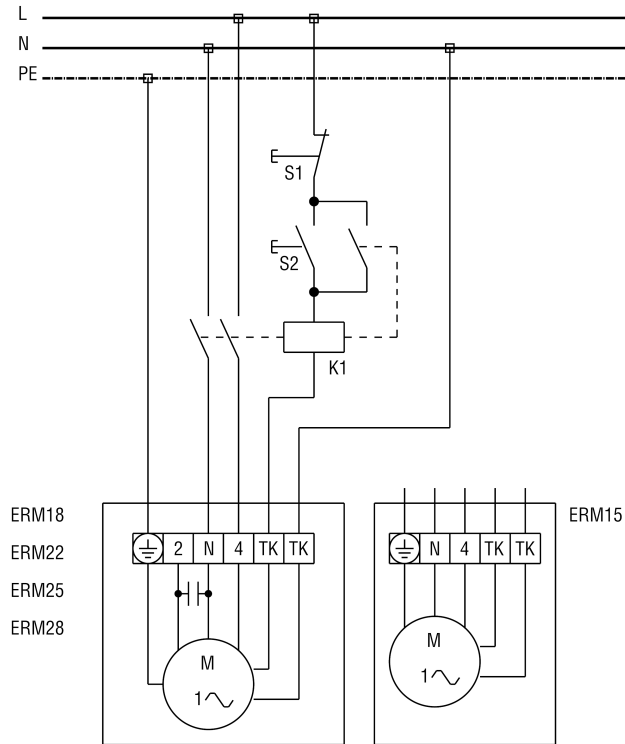


ERM 28

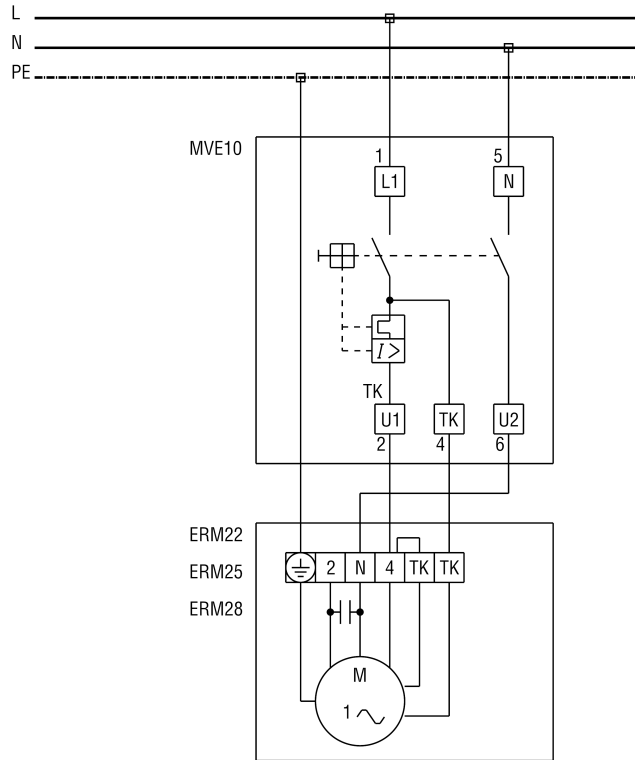
ERM.. with on and off switch



- S1 - Off switch (to be supplied by the customer)
- S2 - On switch (to be supplied by the customer)
- K1 - Contactor US 16 T (to be supplied by the customer)

ERM 28

ERM.. with MVE 10 motor protection switch



MV 10 motor protection switch, to be supplied by the customer
