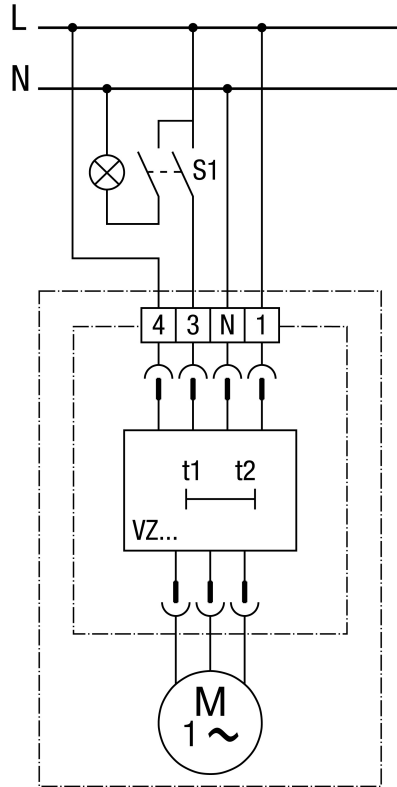


# WIRING DIAGRAM

## ER 100 GVZ



### Standard switching:



Fan always runs at base load. When the room is in use (S1=On), the fan switches automatically to full load after approx. 50 seconds.

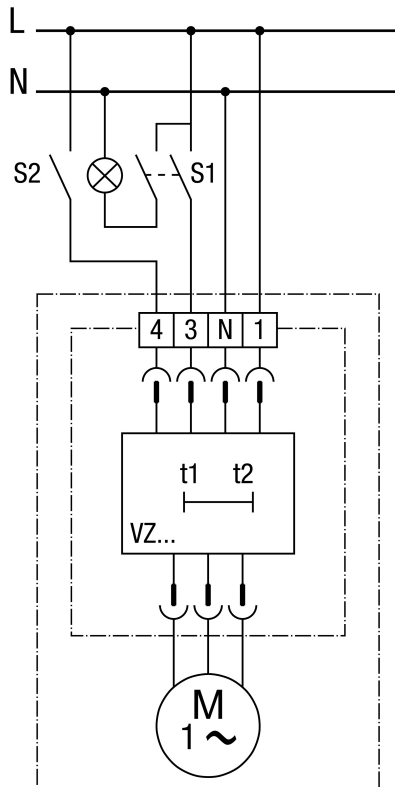
Using a 1-pin switch can cause reverse polarity voltages. Combination with an X2 capacitor necessary!

# WIRING DIAGRAM

## ER 100 GVZ



### Switching option



When the room is in use (S1=On), the fan switches automatically to full load after approx. 50 seconds. Base load operation can be switched off manually with switch S2.  
Using a 1-pin switch can cause reverse polarity voltages. Combination with an X2 capacitor necessary!

---