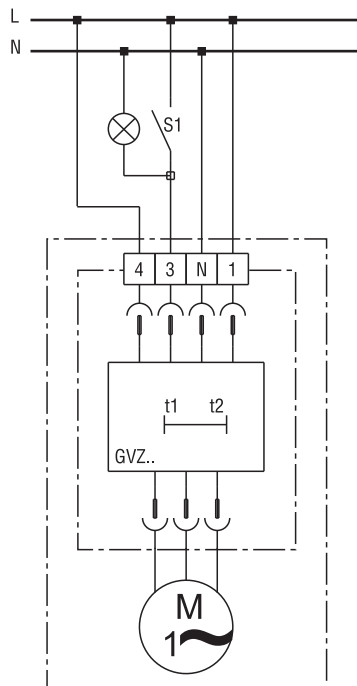


WIRING DIAGRAM

ER 60 GVZC EC

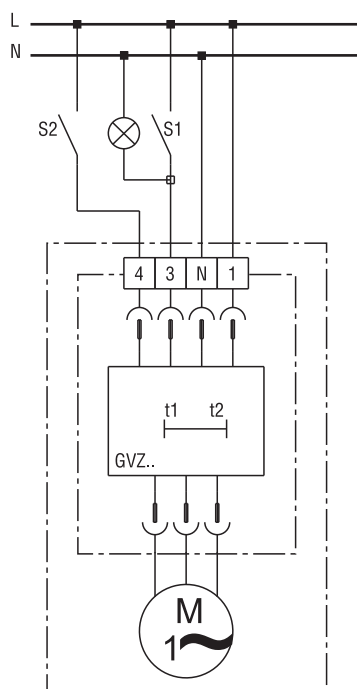


Standard switching:



The fan permanently runs at least at base load. The base load level cannot be switched off manually. If the room lighting is switched on (S1 = On), the fan switches to nominal load after the preset start delay of 0 to three minutes. After the room lighting is switched off, the fan continues running up to 15 minutes at an adjustable overrun time. Then the fan switches back to the base load level.

Switching option



When the room is in use (S1=On), the fan switches automatically to full load after approx. 50 seconds. Base load operation can be switched off manually with switch S2.

The base load can be switched on and off with S2.

Case 1: Fan is stationary. If S2 is activated (S2 = On), the unit switches immediately to base load, without considering the preset start delay. If S2 is activated again, (S2 = Off), the unit switches immediately off, without considering the preset overrun time.

Case 2: The unit is running at base load level (S2 = On). If the room lighting is switched on (S1 = On), the fan switches to nominal load after an adjustable start delay of 0 to 3 minutes. After the room lighting is switched off, the fan continues running up to 15 minutes at the adjustable overrun time. Then the fan switches back to the base load level.

Case 3: Fan is stationary. If the room lighting is switched on (S1 = On), the fan switches to nominal load after an adjustable start delay of 0 to 3 minutes. After the room lighting is switched off, the fan continues running up to 15 minutes at the adjustable overrun time. Then the fan switches off.

When setting the overrun time, please take the General Building Approval into consideration.
