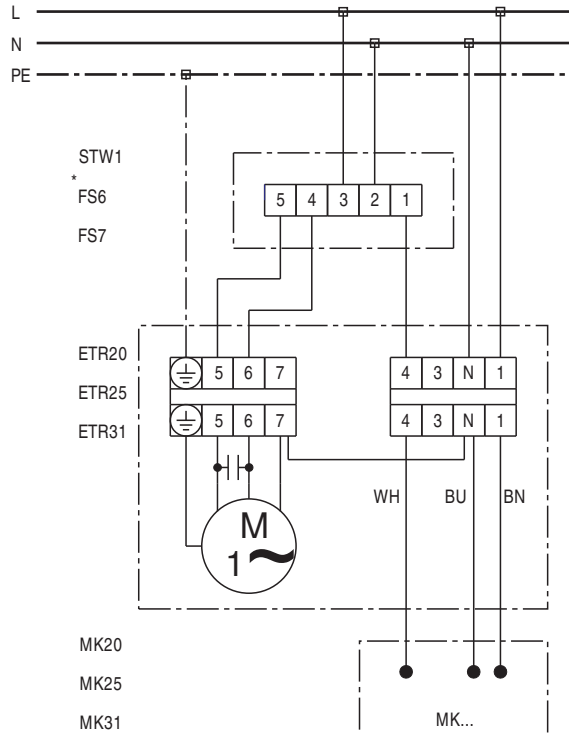
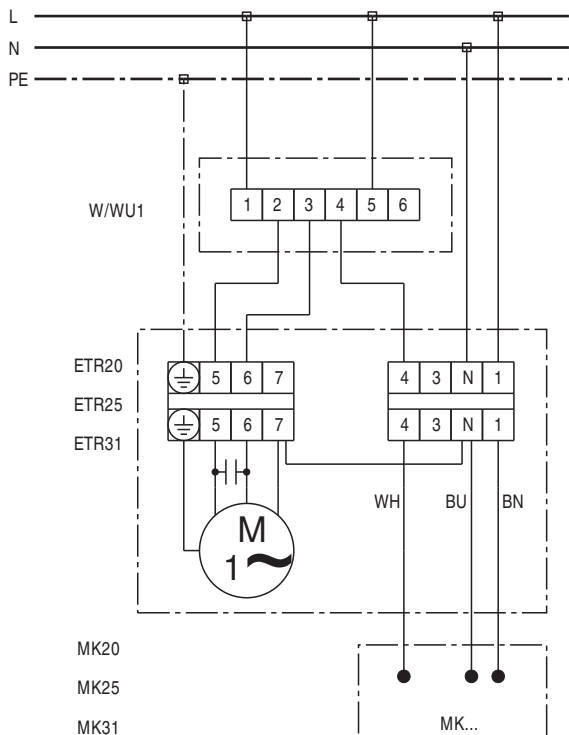


ETR 20

ETR 20 with STW 1 speed controller or FS 6/7 step switch



FS 6 not for ETR 31



WIRING DIAGRAM

ETR 20

