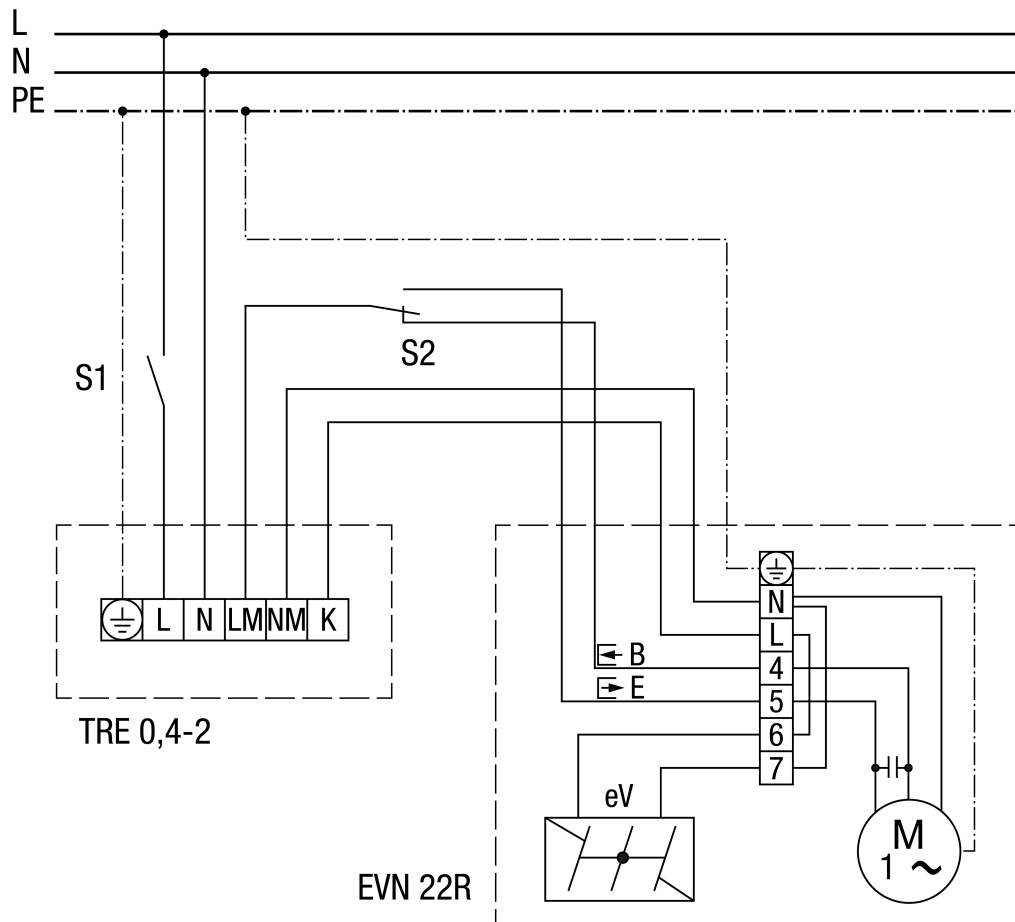


# WIRING DIAGRAM

## EVN 22 R

### EVN 22 R

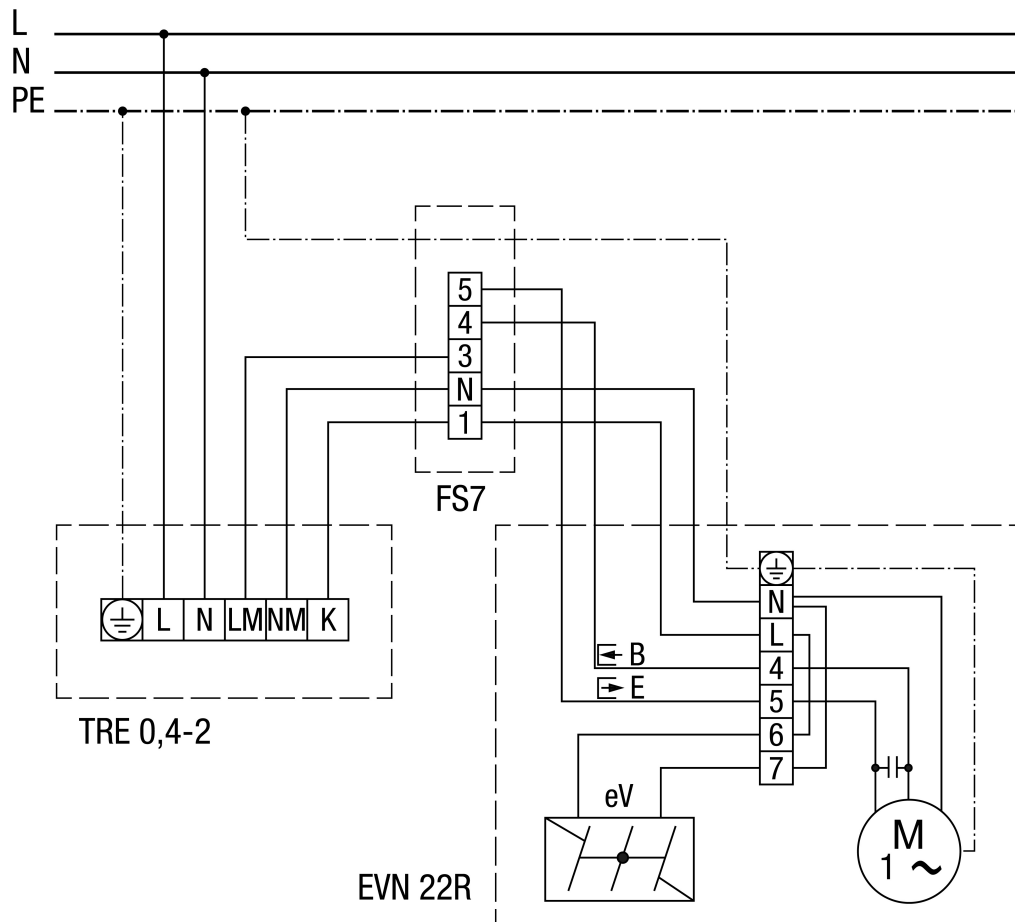


- ① Electrical shutter (outside)
- S1 - On / Off
- S2 - Switching between air extraction or ventilation
- B - Ventilation (terminal 4)
- E - Air extraction (terminal 5)

# WIRING DIAGRAM

## EVN 22 R

EVN 22 R with STW controller, FS 6, FS 7



- ① Electronic shutter (external)
- FS 6 - Step switch for (2-speed, air extraction or ventilation)
- FS 7 - Reversing switch (air extraction or ventilation)
- B - Ventilation (terminal 4)
- E - Air extraction (terminal 5)