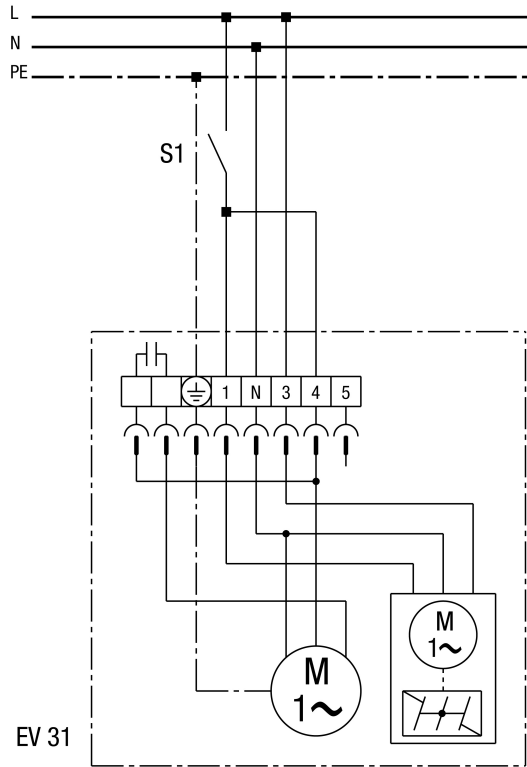


# WIRING DIAGRAM

## EV 31



# WIRING DIAGRAM

## EV 31



### EV 31 with ST, STU, STS speed controller

