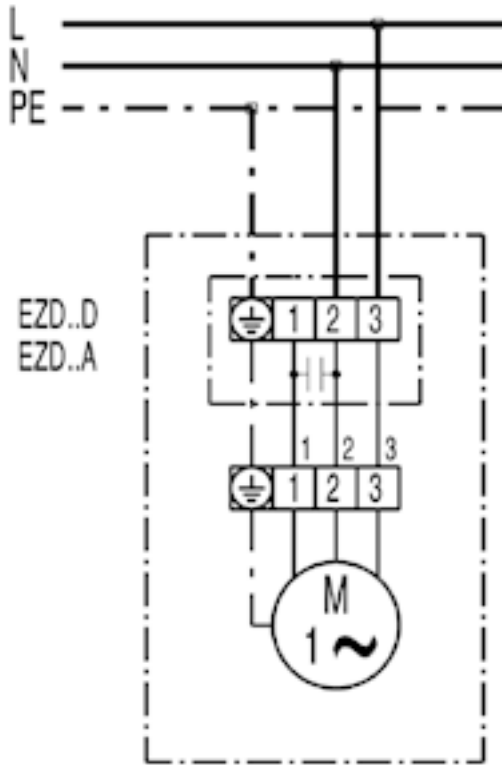


# WIRING DIAGRAM

## EZD25-2A



### EZD 25/2 A for ventilation



Right-hand rotation: EZD 25/2 A with air drawn across the motor

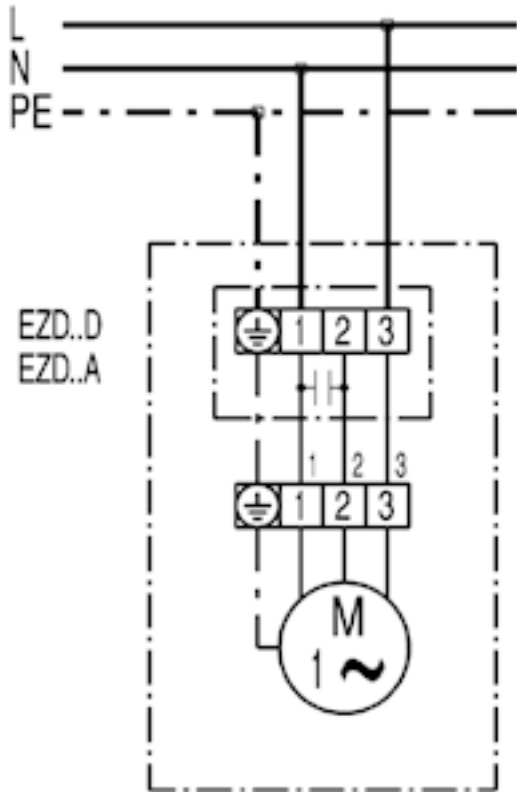
---

# WIRING DIAGRAM

## EZD25-2A



### EZD 25/2 A for air extraction



Right-hand rotation: EZD 25/2 A with air blown across the motor

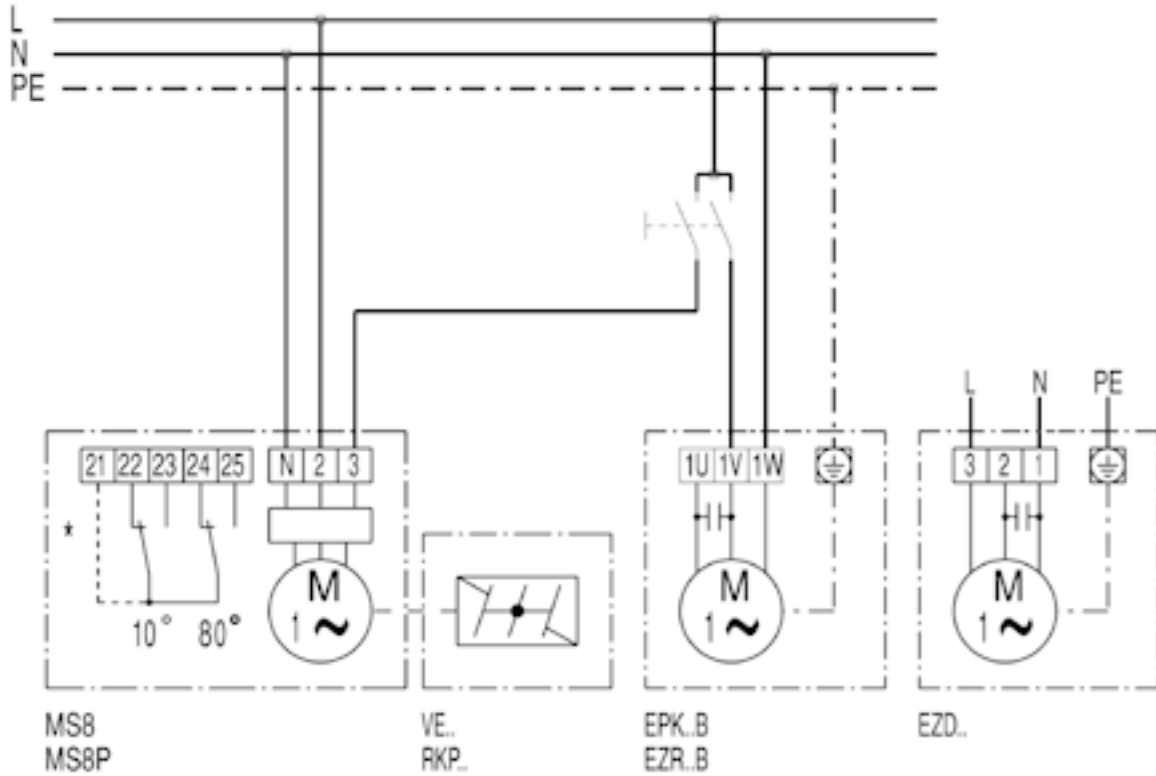
---

# WIRING DIAGRAM

## EZD25-2A



EZD...D with VE shutter, RKP and MS 8, MS 8 P servomotor

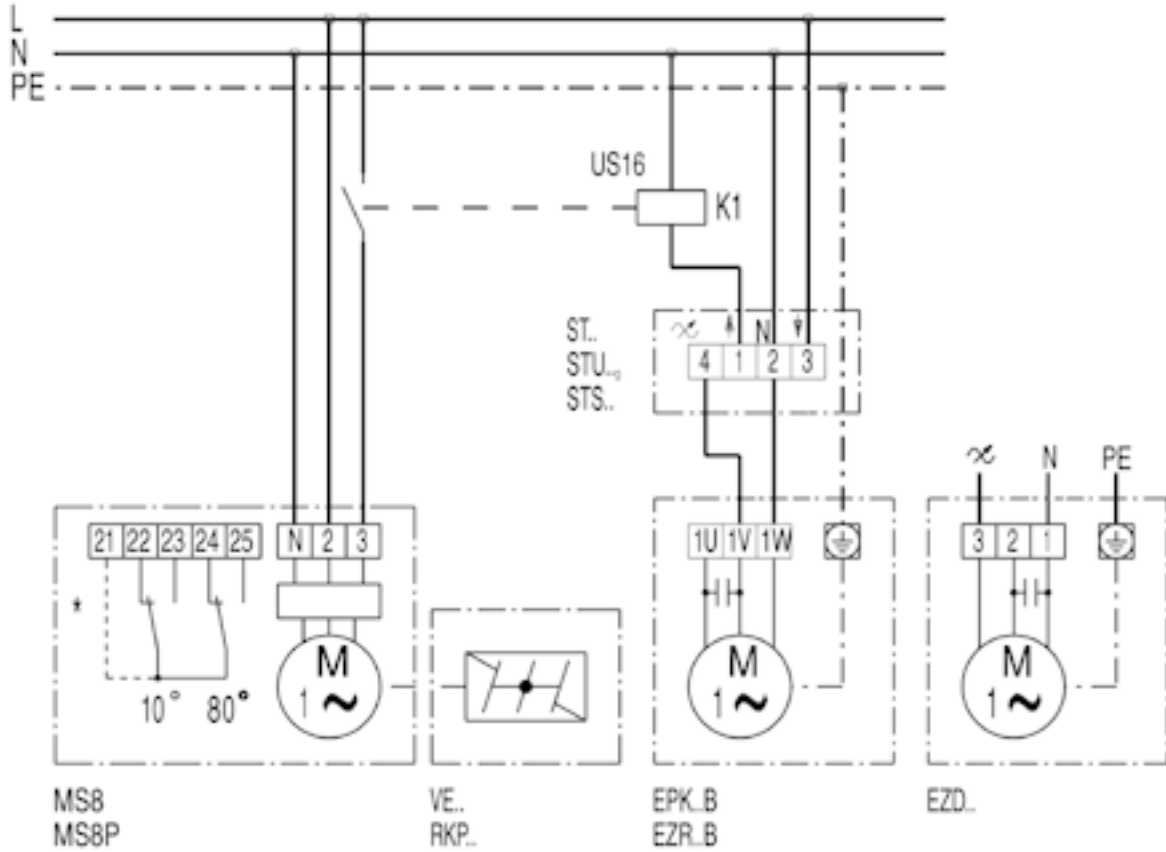


\* Limit switch only for MS 8 P

# WIRING DIAGRAM

## EZD25-2A

EZD... with VE shutter, RKP and ST, STU, STS speed controller



\* Limit switch only for MS 8 P