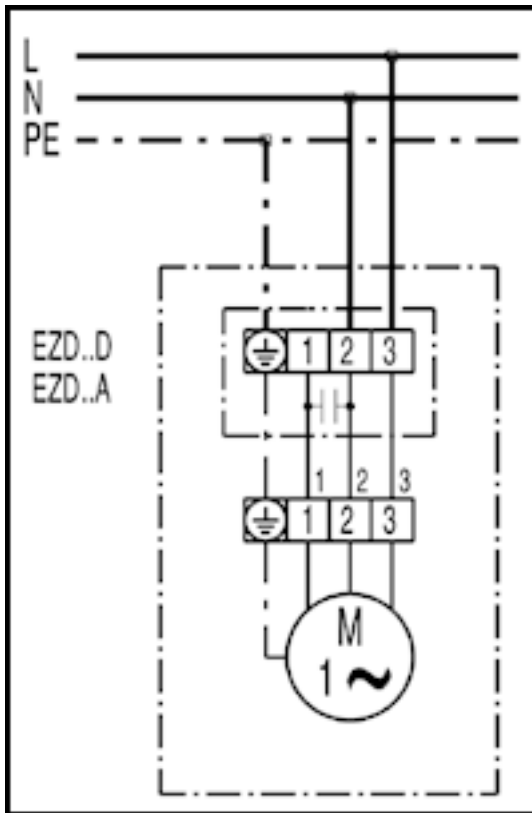


# WIRING DIAGRAM

## EZD30-2A



### EZD...D for ventilation



Right-hand rotation: EZD...D with air drawn across the motor

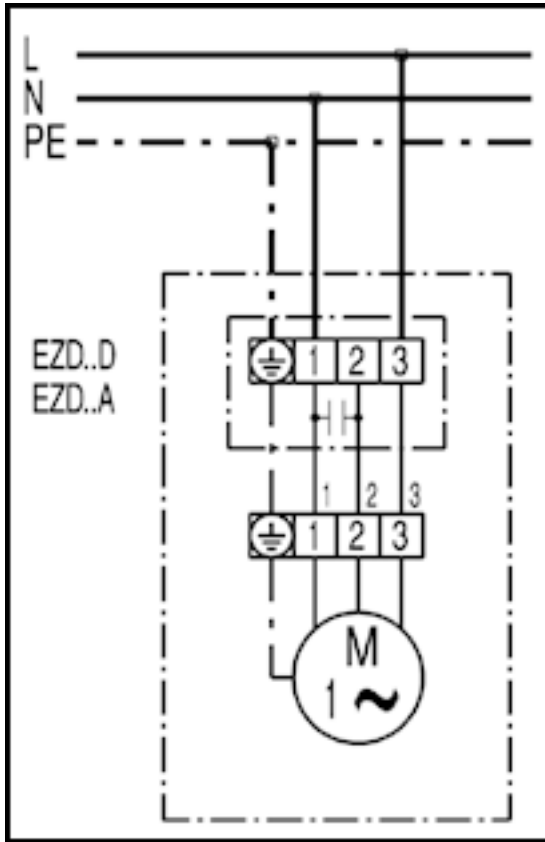
---

# WIRING DIAGRAM

## EZD30-2A



EZD...D for air extraction



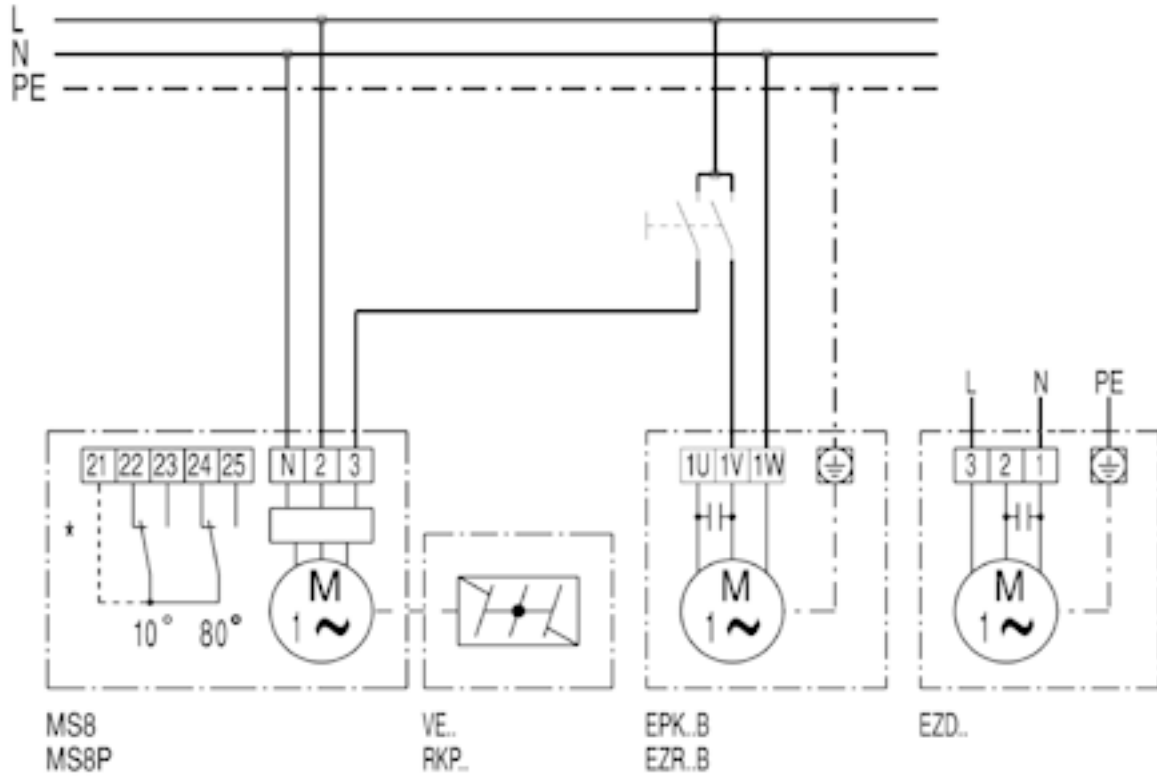
Right-hand rotation: EZD...D with air blown across the motor

---

# WIRING DIAGRAM

## EZD30-2A

EZD...D with VE shutter, RKP and MS 8, MS 8 P servomotor



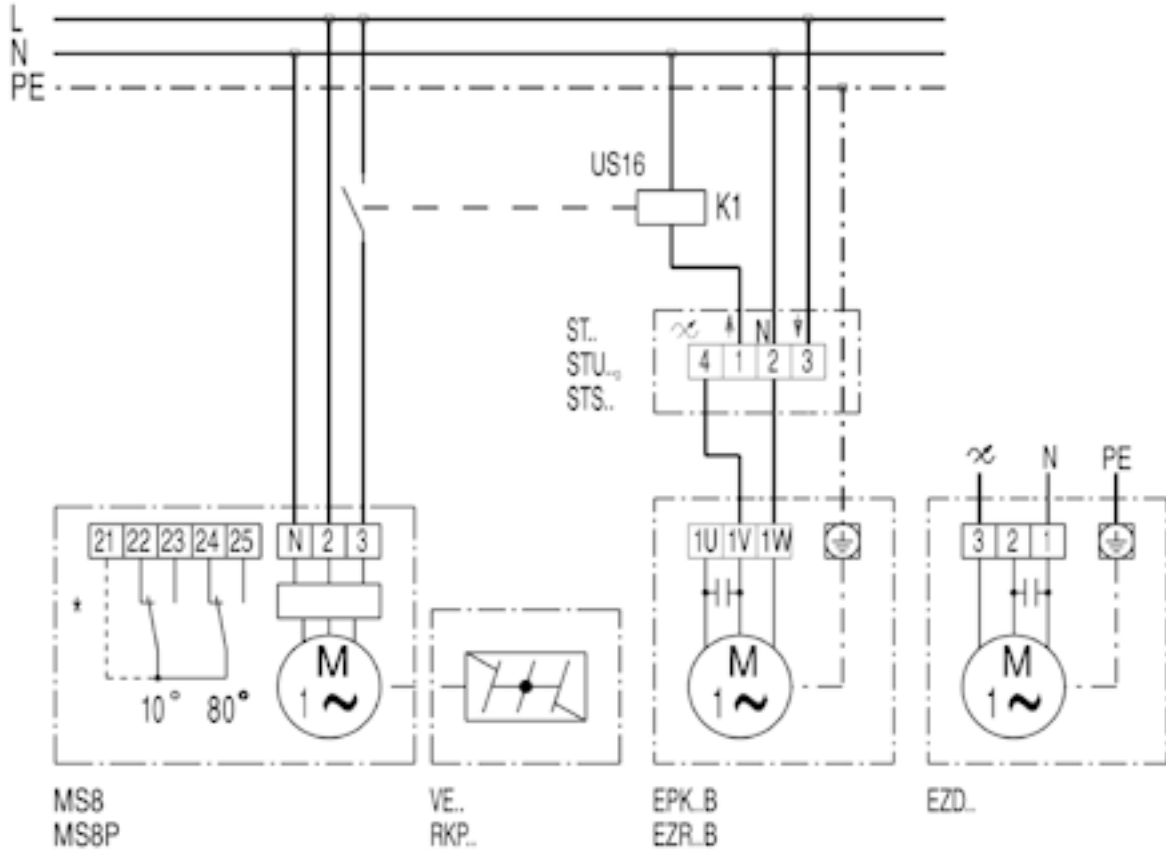
\* Limit switch only for MS 8 P

# WIRING DIAGRAM

## EZD30-2A



EZD... with VE shutter, RKP and ST, STU, STS speed controller



\* Limit switch only for MS 8 P