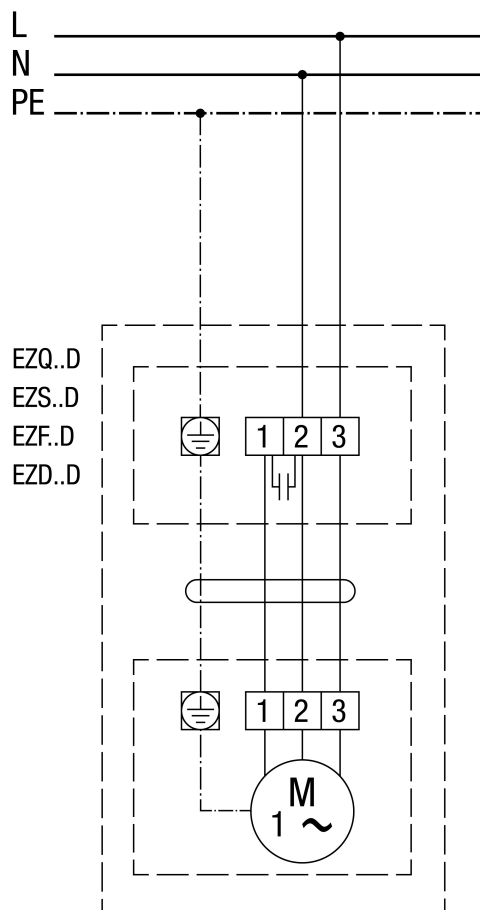


WIRING DIAGRAM

EZD 25/4 D

EZD 25/4 D for ventilation (right-hand operation)

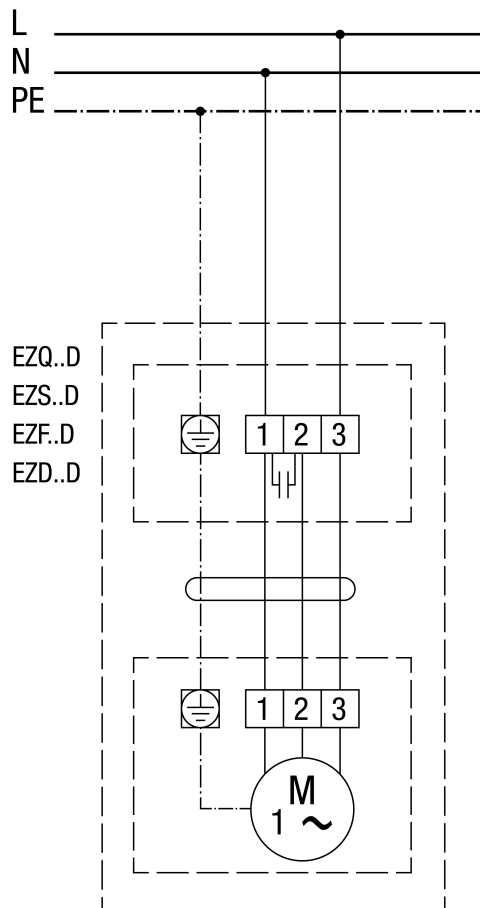


Right-hand rotation: EZD 25/4 D with air drawn across the motor

WIRING DIAGRAM

EZD 25/4 D

EZD 25/4 D for air extraction (left-hand operation, standard)



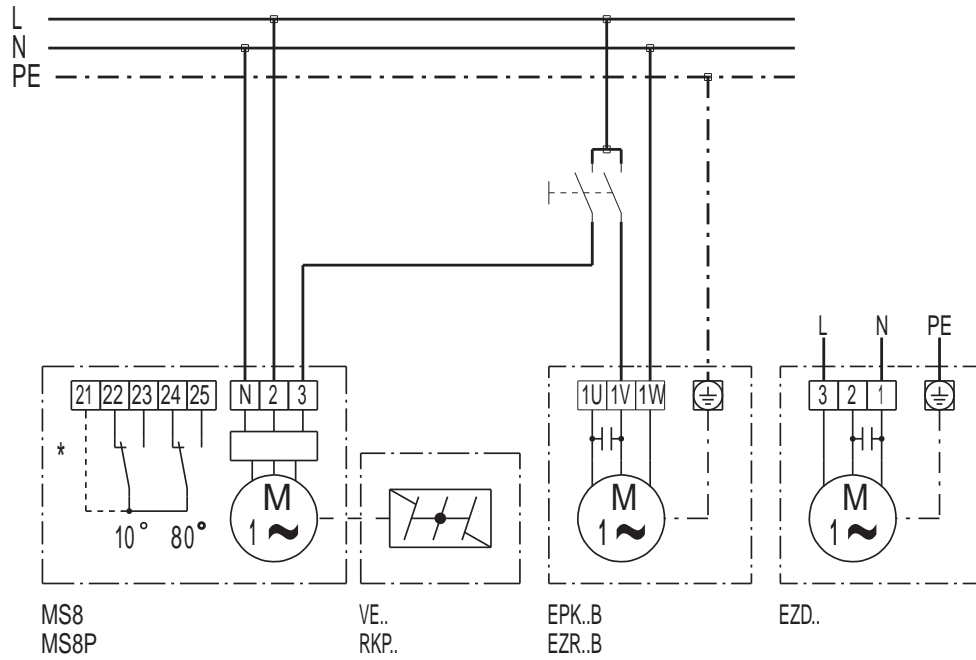
Right-hand rotation: EZD 25/4 D with air blown across the motor

WIRING DIAGRAM

EZD 25/4 D



EZD 25/4 D with VE shutter, RKP and MS 8, MS 8 P servomotor



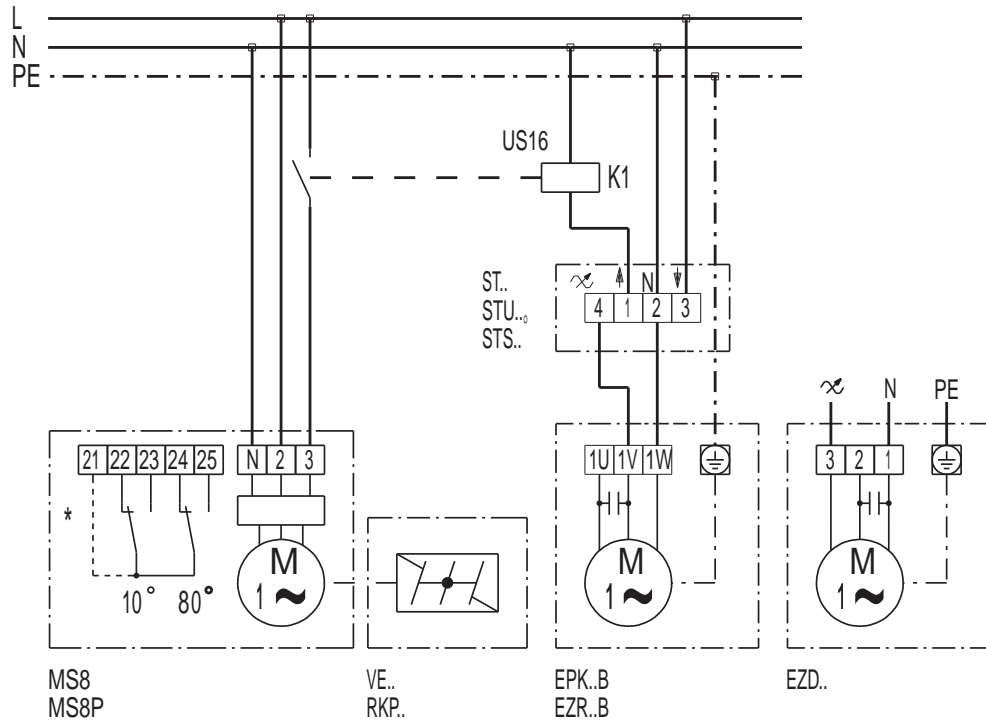
* Limit switch only for MS 8 P

WIRING DIAGRAM

EZD 25/4 D



EZD 25/4 D with VE shutter, RKP and ST, STU, STS speed controller



* Limit switch only for MS 8 P