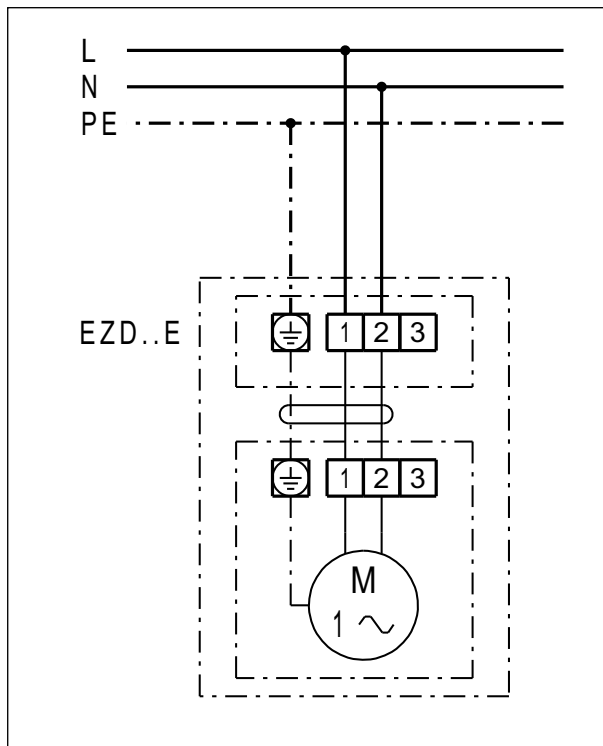
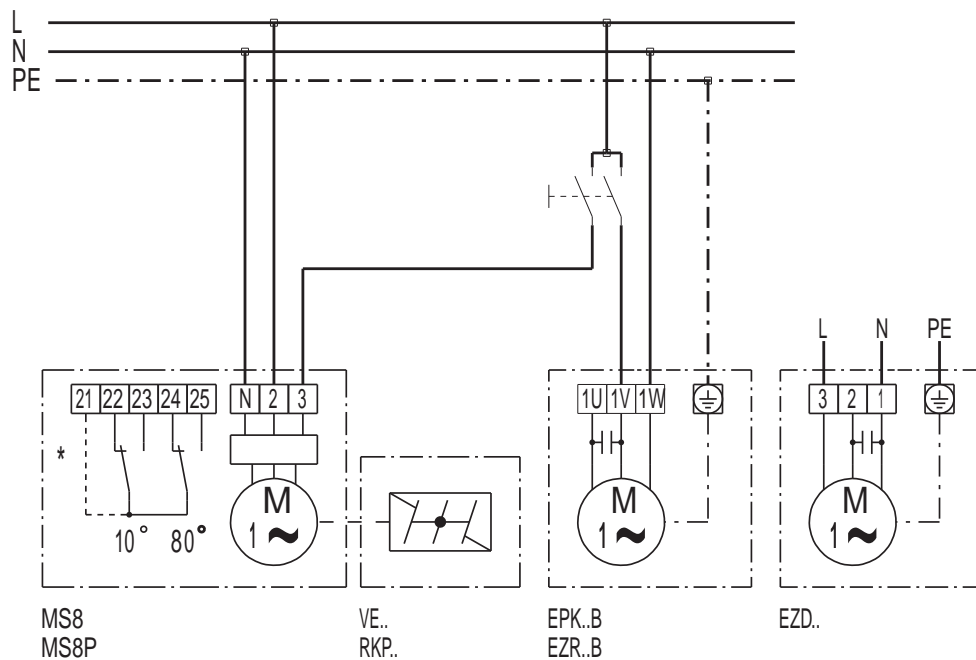


WIRING DIAGRAM

EZD 25/4 E



EZD 25/4 D with VE shutter, RKP and MS 8, MS 8 P servomotor

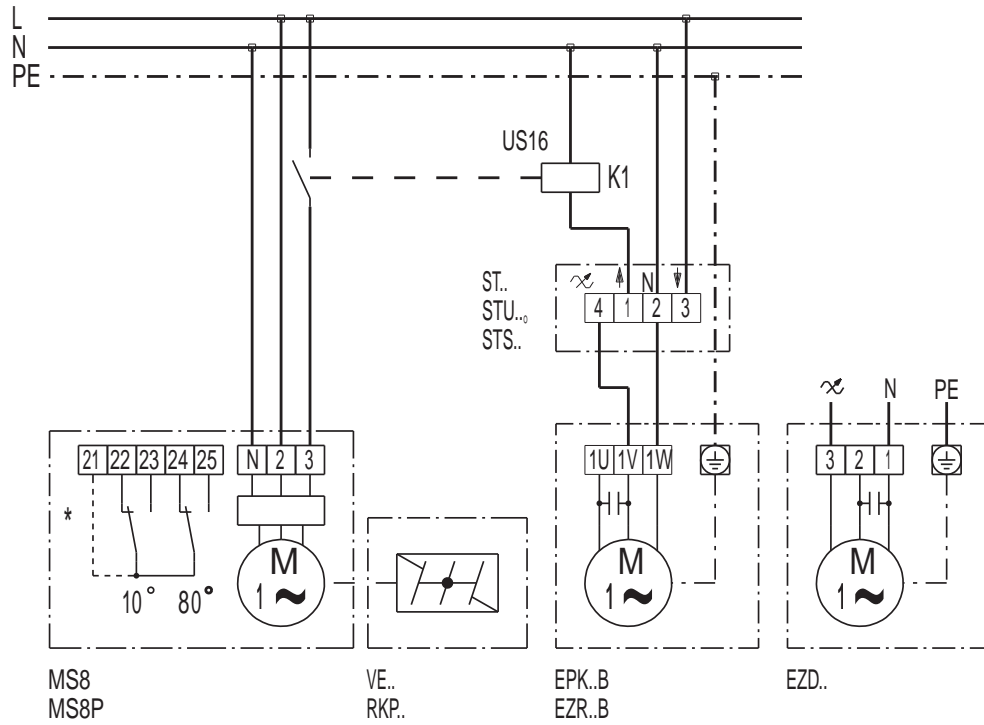


WIRING DIAGRAM

EZD 25/4 E

* Limit switch only for MS 8 P

EZD 25/4 E with VE shutter, RKP and ST, STU, STS speed controller



* Limit switch only for MS 8 P