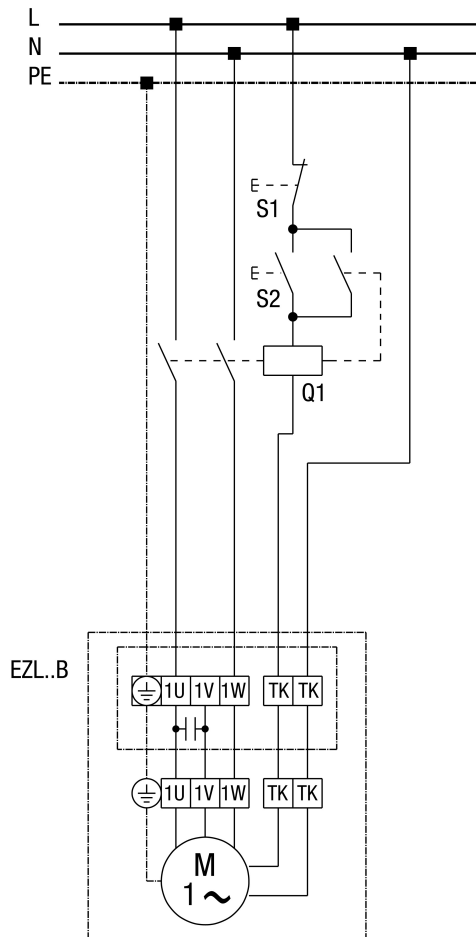


WIRING DIAGRAM

EZL 25/2 B



EZL...B with contactor switching (self-holding)

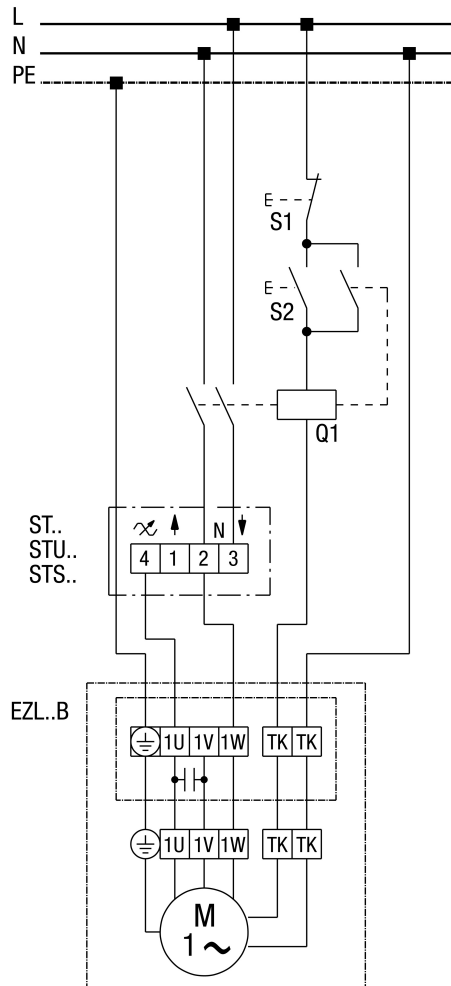


- S1 - Off switch
- S2 - On switch
- Q1 - US 16 T contactor

WIRING DIAGRAM

EZL 25/2 B

EZL...B with contactor switching (self-holding) and ST / STU / STS speed controller

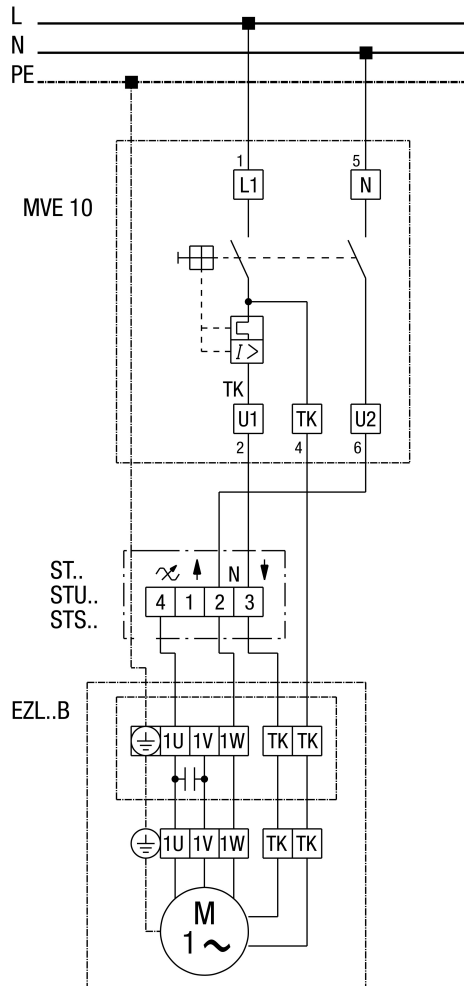


- S1 - Off switch
- S2 - On switch
- Q1 - US 16 T contactor

WIRING DIAGRAM

EZL 25/2 B

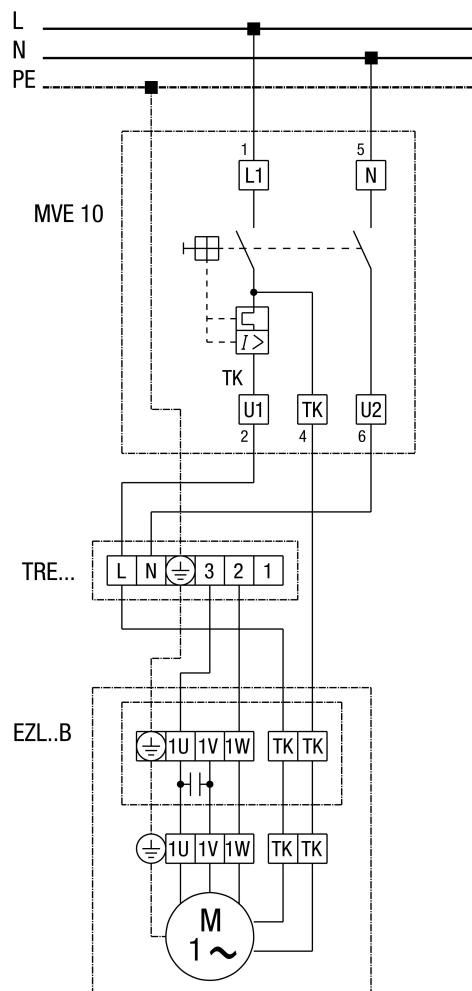
EZL...B with ST / STU / STS speed controller and MVE 10 full motor protection switch



WIRING DIAGRAM

EZL 25/2 B

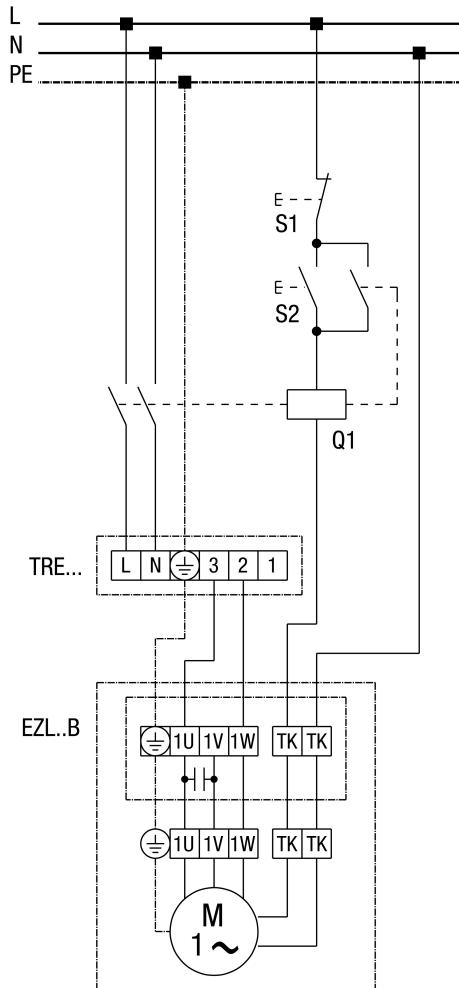
EZL...B with TRE... 5-step transformer and MVE 10 motor protection switch



WIRING DIAGRAM

EZL 25/2 B

EZL...B with TRE... 5-step transformer



- S1 - Off switch
- S2 - On switch
- Q1 - US 16 T contactor