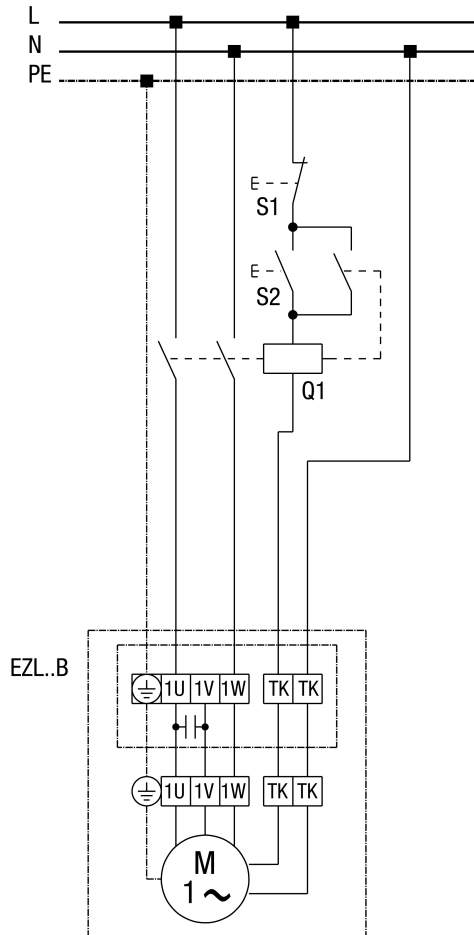


# WIRING DIAGRAM

## EZL 30/2 B

### EZL...B with contactor switching (self-holding)

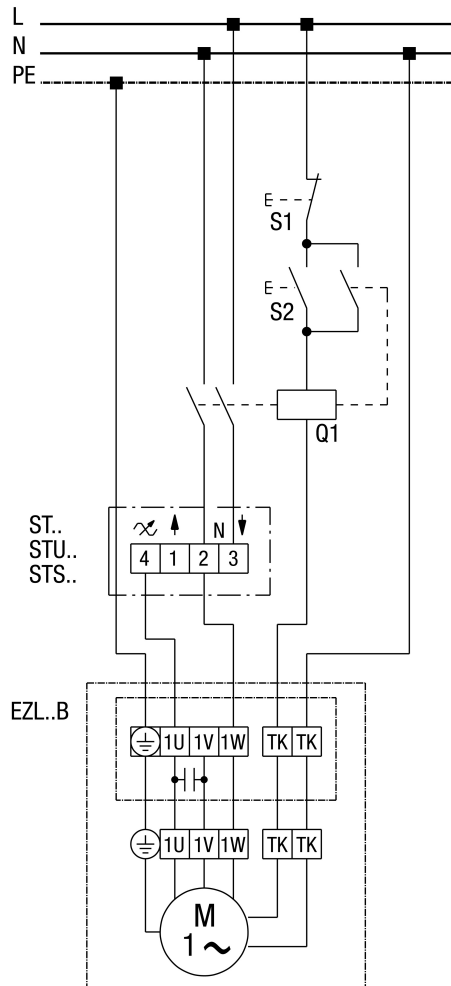


- S1 - Off switch
- S2 - On switch
- Q1 - US 16 T contactor

# WIRING DIAGRAM

## EZL 30/2 B

EZL...B with contactor switching (self-holding) and ST / STU / STS speed controller



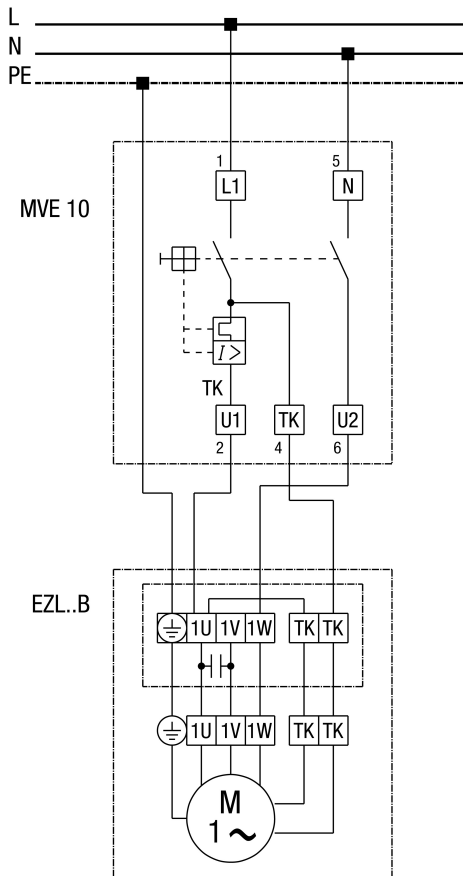
- S1 - Off switch
- S2 - On switch
- Q1 - US 16 T contactor

# WIRING DIAGRAM

## EZL 30/2 B



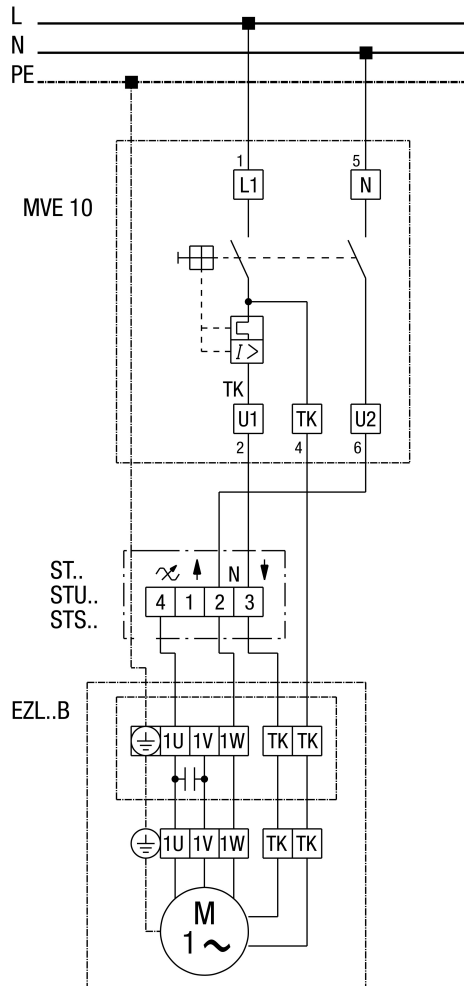
### EZL...B with MVE 10 motor protection switch



# WIRING DIAGRAM

## EZL 30/2 B

**EZL...B with ST / STU / STS speed controller and MVE 10 full motor protection switch**

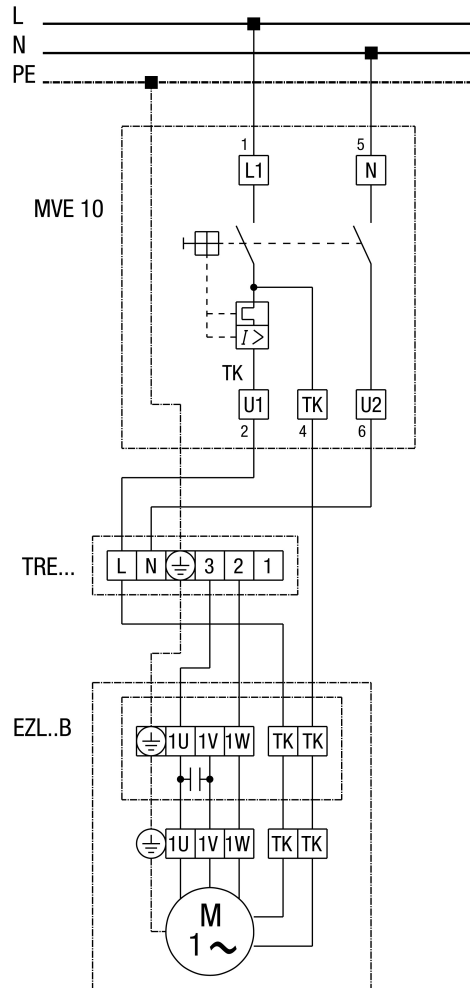


# WIRING DIAGRAM

## EZL 30/2 B



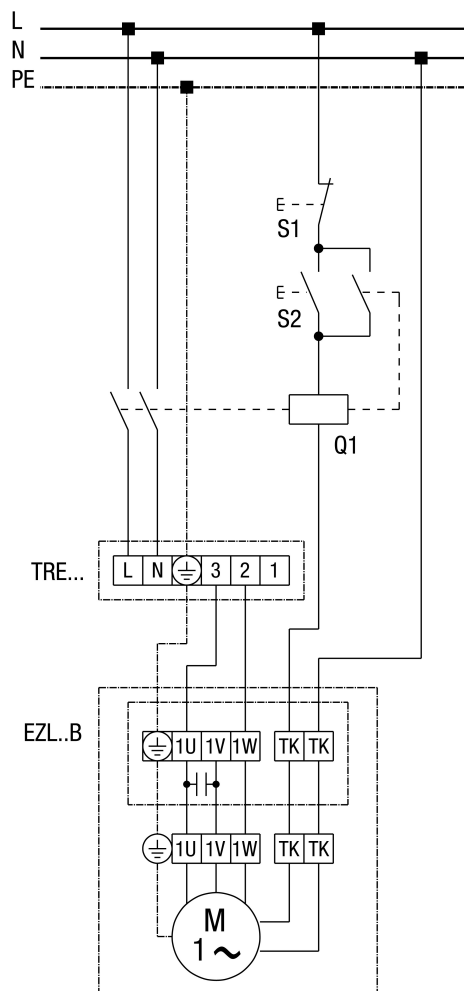
### EZL...B with TRE... 5-step transformer and MVE 10 motor protection switch



# WIRING DIAGRAM

## EZL 30/2 B

### EZL...B with TRE... 5-step transformer



S1 - Off switch  
S2 - On switch  
Q1 - US 16 T contactor