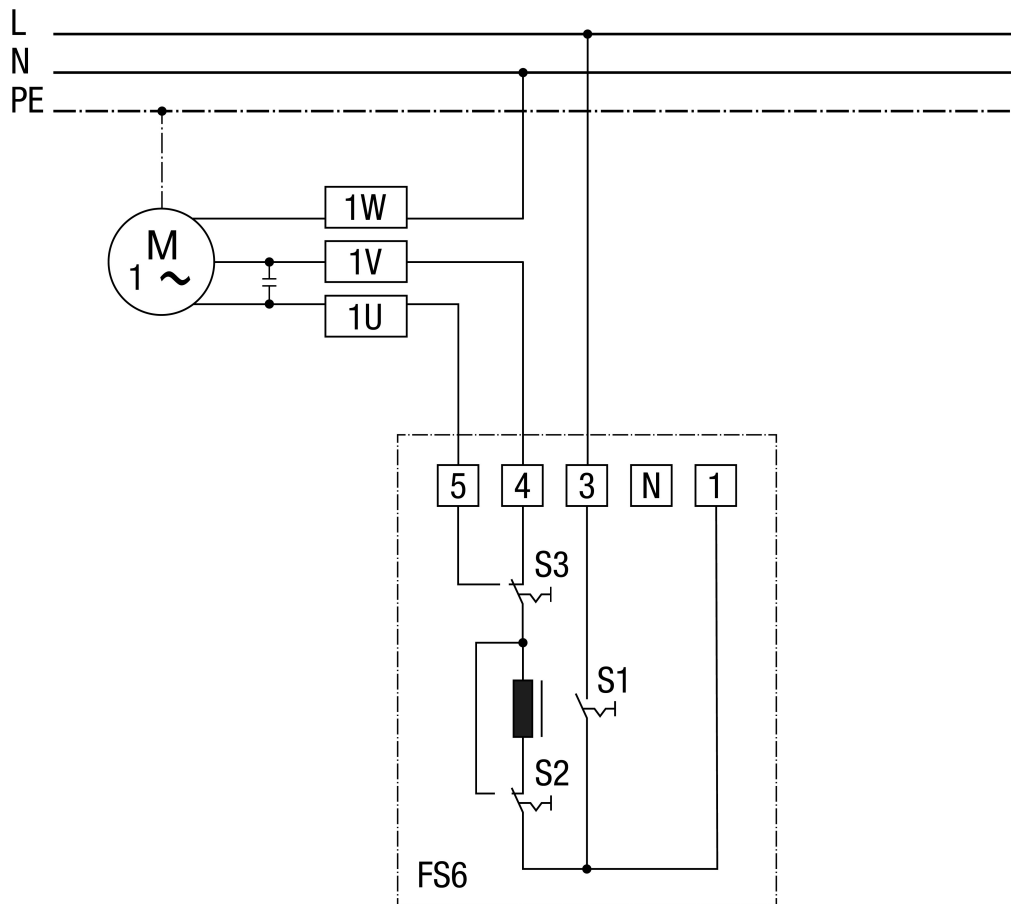


WIRING DIAGRAM

FS 6

FS 6



FS6 step switch

S1 switch: On / Off

S2 switch: fast/slow

S3 switch: Rotational direction (air extraction / ventilation)

M1 fan (capacitor motor)