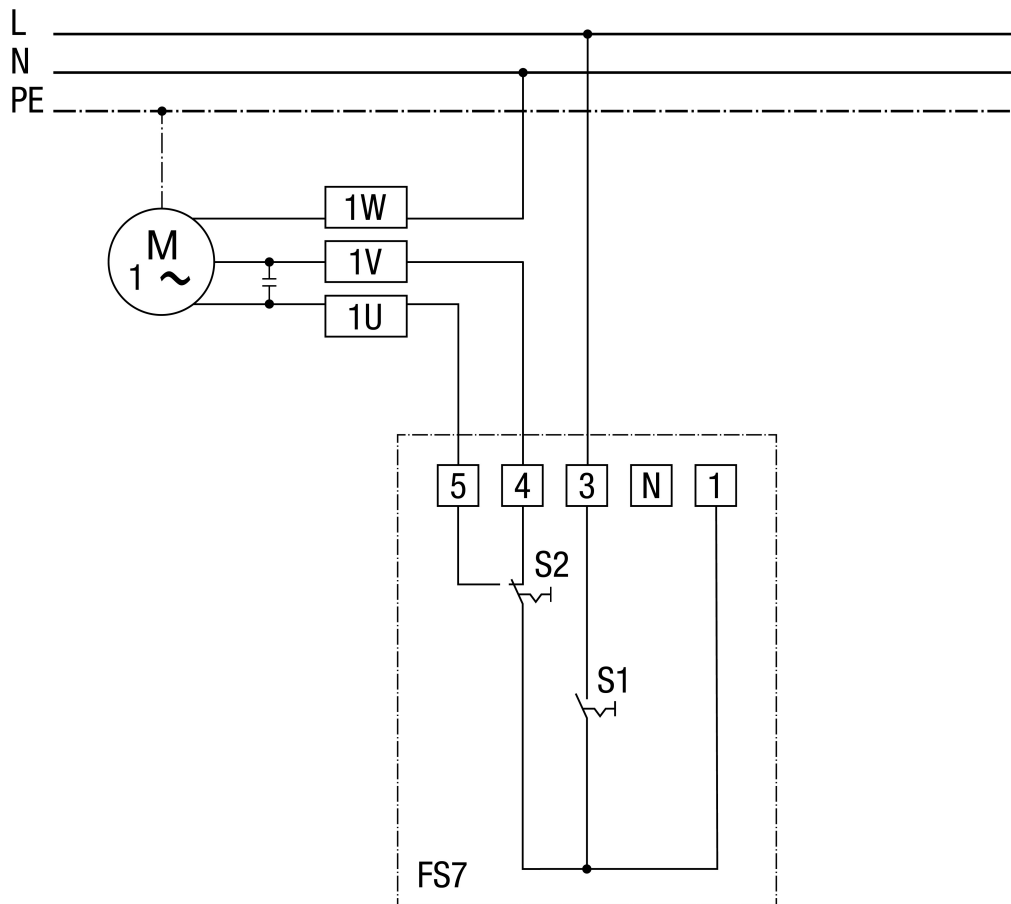


# WIRING DIAGRAM

## FS 7

### FS 7



FS7 step switch

S1 switch: On / Off

S2 switch: Rotational direction (air extraction / ventilation)

M1 fan (capacitor motor)