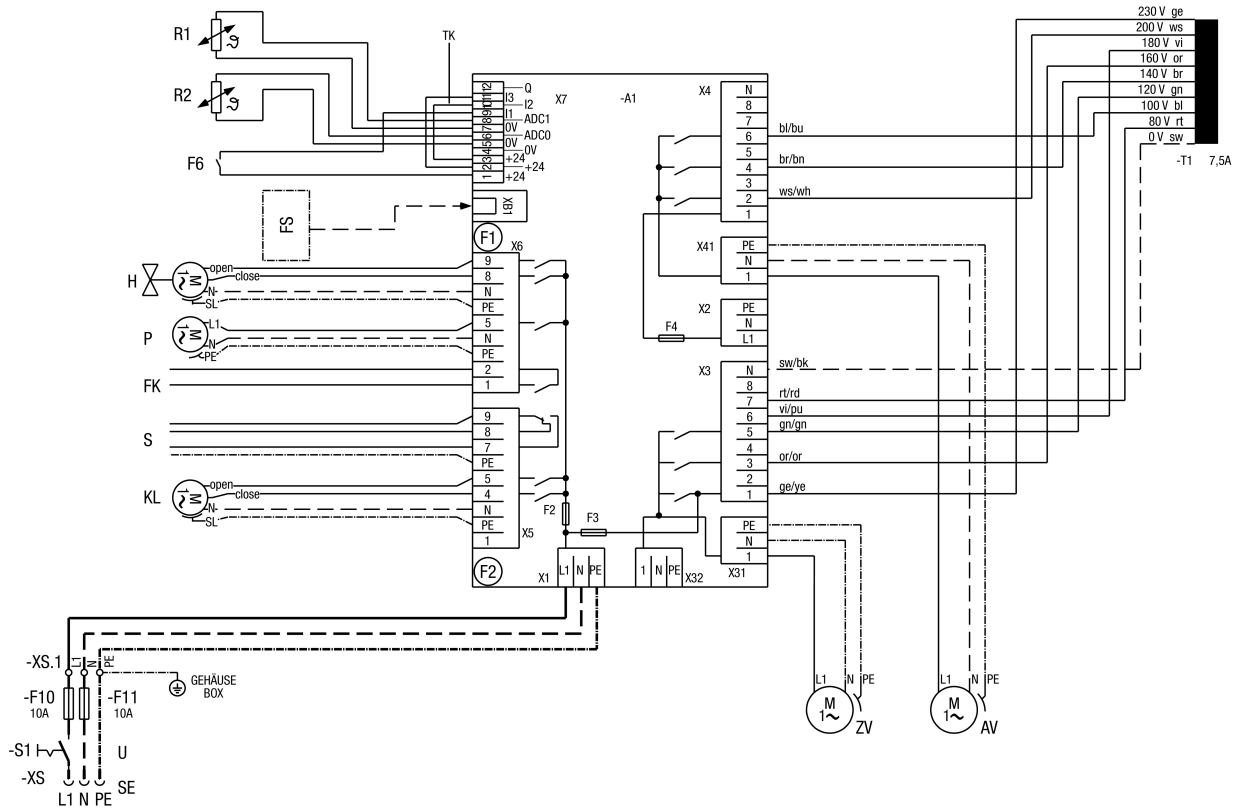


WIRING DIAGRAM

KFD 6030



Wiring diagram for KFD 6030



- ZV - supply air fan
- AV - exhaust fan
- TK - thermal contact for exhaust fan
- R1 - frost protection monitoring
- R2 - NTC temperature sensor
- FG - unit release, potential-free contact
- FS - control unit
- H - heating
- P - circulation pump
- FK - refrigeration machine release
- S - unit fault
- KL - shutter drive
- U - supply 1 x 230 V / N / 50 Hz
- SE - external 16 A fuse