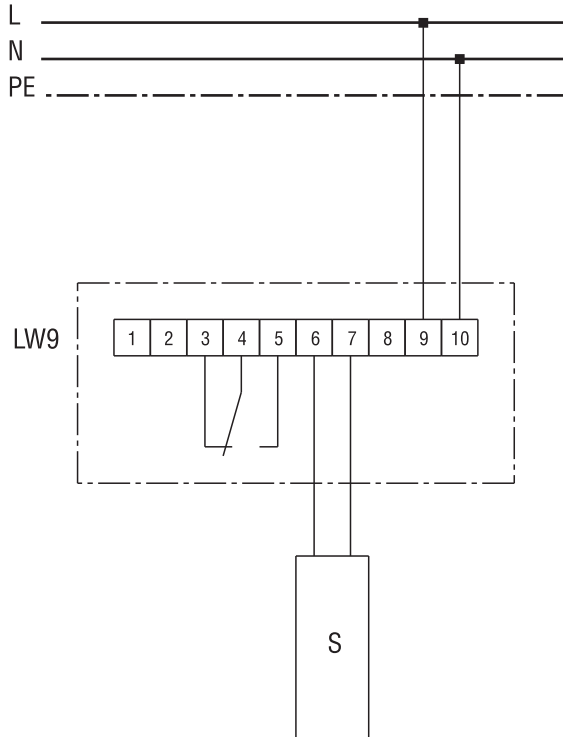


# WIRING DIAGRAM

## LW 9



S - sensor

---