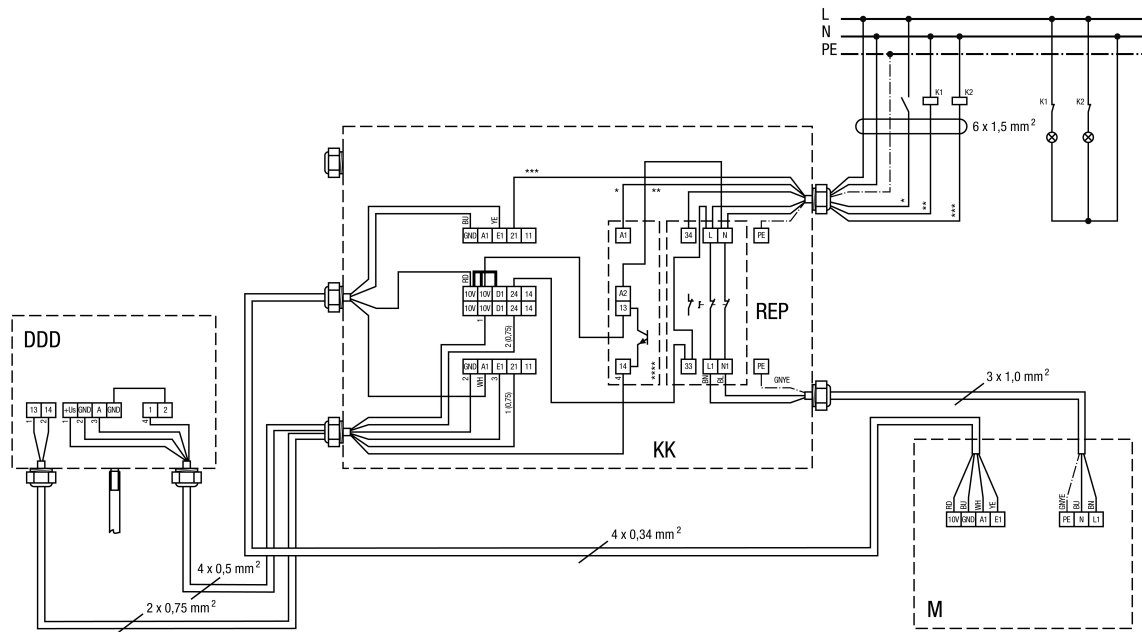


# WIRING DIAGRAM

## MDR-PG 18 EC



- L/L1, N/N1 - 230V/50Hz power supply
- PE PE conductor
- 10 V / GND - 10 VDC power supply
- E1 - Control voltage Speed input (0-10V)
- D1 - not assigned
- A1 - Motor speed output
- 33/34 - Potential-free contact Repair switch
- A1/A2 (3K2) - Control contact Semiconductor relay
- 13/14 (3K2) - Switching contact Semiconductor relay
- A - Control voltage Speed output (0-10 V) Differential pressure cell
- 13/14 - Potential-free contact Differential pressure cell
- +Us/GND - Power supply Differential pressure cell (10-24 VDC)
- 1/2 - Potential-free contact Differential pressure cell
- DDD - Differential pressure cell
- REP - Repair switch
- KK - Terminal box
- M - Motor
- \* - Setpoint adjustment 1/2 S/R
- \*\* - Fault signal Repair switch
- \*\*\* - Fault signal Pressure controller
- \*\*\*\* - Semiconductor relay (3K2)