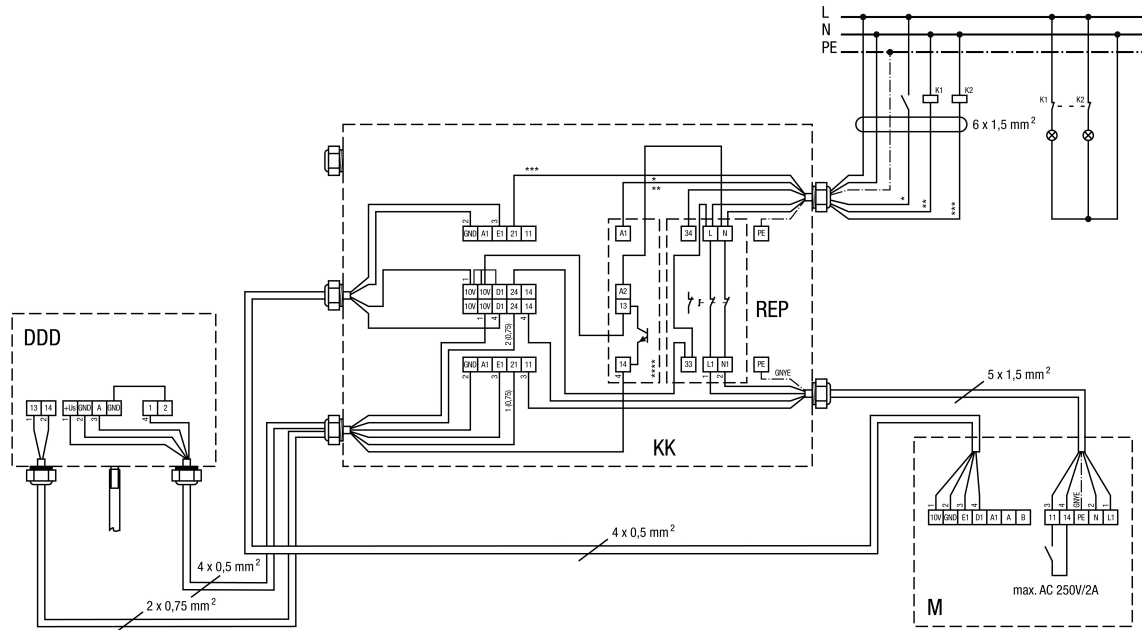


# WIRING DIAGRAM

## MDR-PG 22 EC



- L/L1, N/N1 - 230V/50Hz power supply
- PE PE conductor
- 10 V / GND - 10 VDC power supply
- E1 - Control voltage Speed input (0-10V)
- D1 - Enabling contact (10V)
- A1 - Motor speed output
- 33/34 - Potential-free contact Repair switch
- 13/14 (3K2) - Switching contact Semiconductor relay
- A - Control voltage Speed output (0-10 V)
- 13/14 (21/24) - Potential-free contact Differential pressure cell
- +Us/GND - Power supply Differential pressure cell (10-24 VDC)
- 1/2 - Potential-free contact Differential pressure cell
- A/B - Modbus option (motor)
- 11/14 - Potential-free contact (motor)
- A1/A2 (3K2) - Control contact Semiconductor relay
- DDD - Differential pressure cell
- REP - Repair switch
- KK - Terminal box
- M - Motor
- \* - Setpoint adjustment 1/2 S/R
- \*\* - Fault signal Repair switch
- \*\*\* - Fault signal Pressure controller
- \*\*\*\* - Semiconductor relay (3K2)