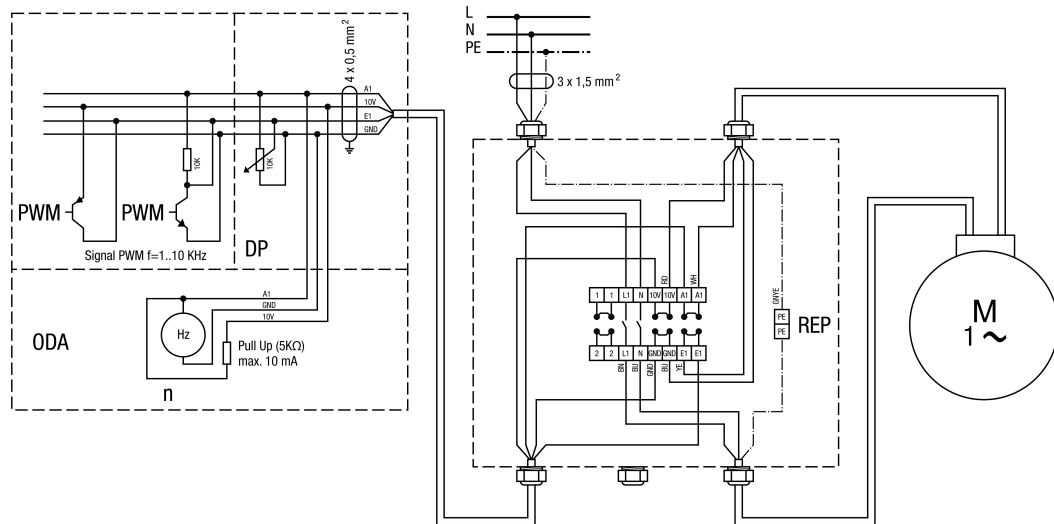


WIRING DIAGRAM

MDR 18 EC



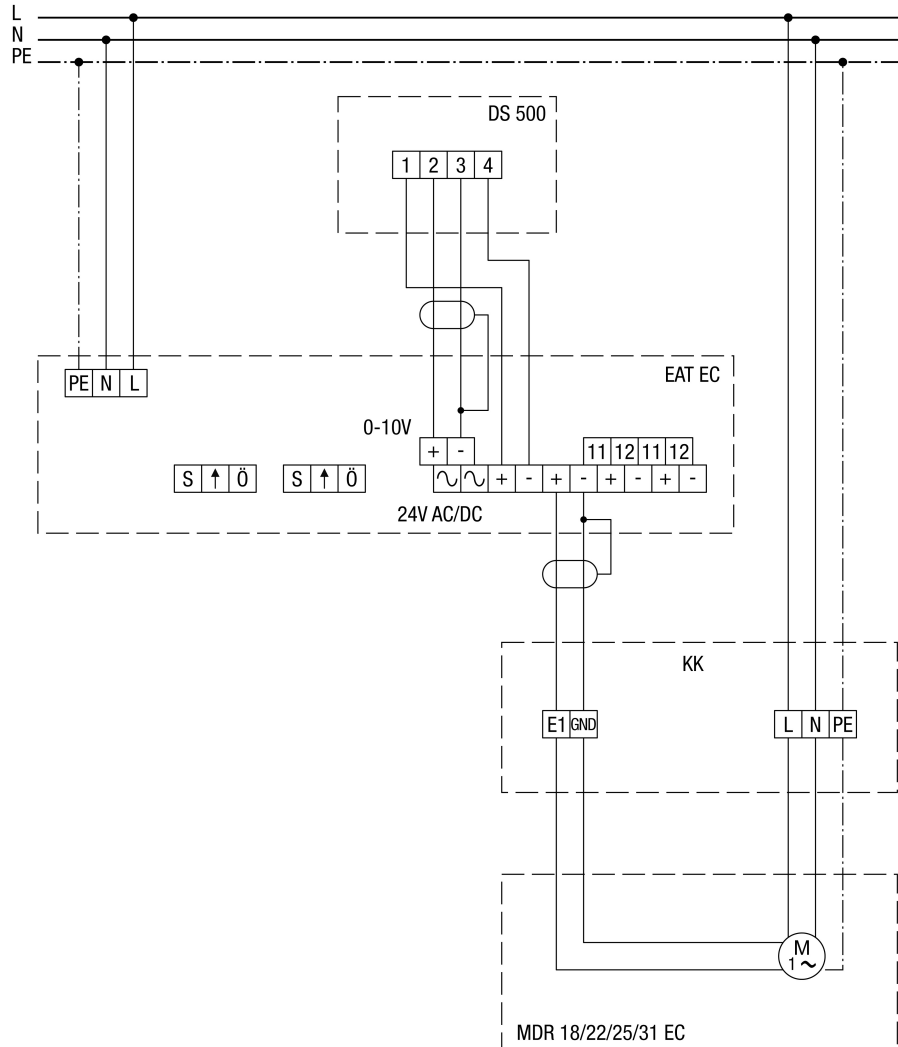
- L1/N - Power supply 230V/50Hz
- PE PE conductor
- 10 V / GND - 10 VDC power supply
- E1 - Control voltage Speed input (0-10V)
- A1 - Speed output
- 1/2 - Contact not assigned (with connection of a pressure control)
- PWM - PWM speed control
- DP - Speed control potentiometer
- ODA - Option speed evaluation
- n- speed (example: 10 Hz x 60 = 600 rpm)
- REP - Repair switch
- M - Motor

WIRING DIAGRAM

MDR 18 EC



MDR 18 / 22 / 25 / 31 with pressure and temperature control system EAT EC



KK - terminal box