

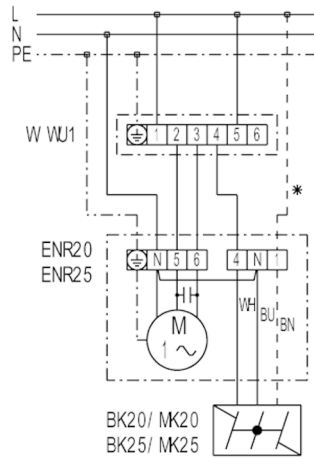




# WIRING DIAGRAM

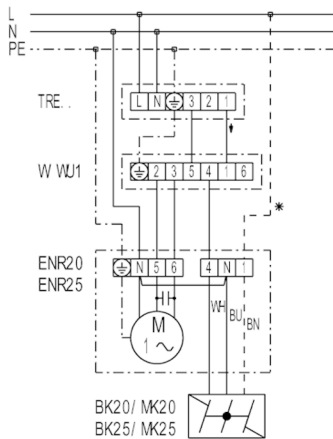
## MK 20

### ENR 20, ENR 25, ENR 31 with W 1, WU 1 reversing switch



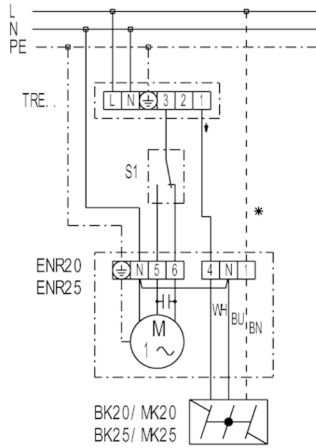
- W 1 - Reversing switch (air extraction or ventilation), surface-mounted
- WU 1 - Reversing switch (air extraction or ventilation), recessed-mounted
- \* - duct only for MK... shutter

### ENR 20, ENR 25, ENR 31 with TRE 5-step switch and W 1, WU 1 reversing switch



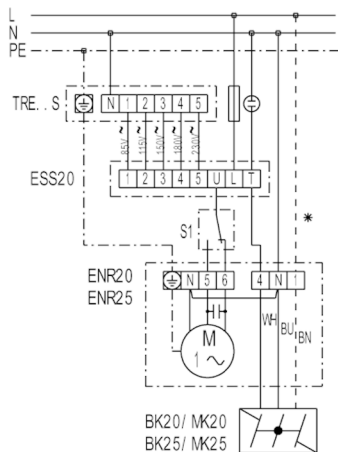
- TRE - 5-step transformer (on/off, 5-speed)
- W 1 - Reversing switch (air extraction or ventilation), surface-mounted
- WU 1 - Reversing switch (air extraction or ventilation), recessed-mounted
- \* - duct only for MK... shutter

### ENR 20, ENR 25, ENR 31 with TRE 5-step transformer and three-position switch



TRE - 5-step transformer (on/off, 5-speed)  
 S1 - Reversing switch (air extraction or ventilation)  
 \* - duct only for MK... shutter

### ENR 20, ENR 25, ENR 31 with TRE..S 5-step transformer and ESS 20 5-step switch.



TRE - 5-step transformer, control cabinet installation  
 ESS 20 - 5-step switch (on/off, 5-speed)  
 S1 - Reversing switch (air extraction or ventilation)  
 \* - duct only for MK... shutter